

# Hardwood Moulding Catalog

Jan 2008



**Teem Wholesale**  
200 West Skinner Road  
Ohio City, Ohio 45874

**Ph: 419-965-2310**  
**Fx: 419-965-2326**



Thank you for considering Teem for your hardwood moulding needs. In the spring of 2006 we began the overwhelming task of manufacturing our own hardwood components with two goals in mind; to be more competitive and to provide the best quality moulding in the market. This quality is derived from many factors. We start with buying the best grade of Appalachian hardwoods that we can find. We focus on training our employees to understand the customer's needs for lengths, color, and quality of wood. We also invested in Weinig's latest technology combining CNC technology in moulders and knife grinding to ensure every run matches specifications. Combining everything we already know about the market and needs of the industry along with a sincere commitment to quality, we feel we are the best choice for your moulding needs. If you don't see what you are looking for in our catalog, please call us. We have access to an unlimited number of profiles and can even duplicate a drawing or moulding of your own.

Thanks again for considering us for your moulding needs. We hope to earn your business and prove our commitment to making a successful moulding program.

Sincerely,



Tom Turnwald  
President - Teem Wholesale Inc.

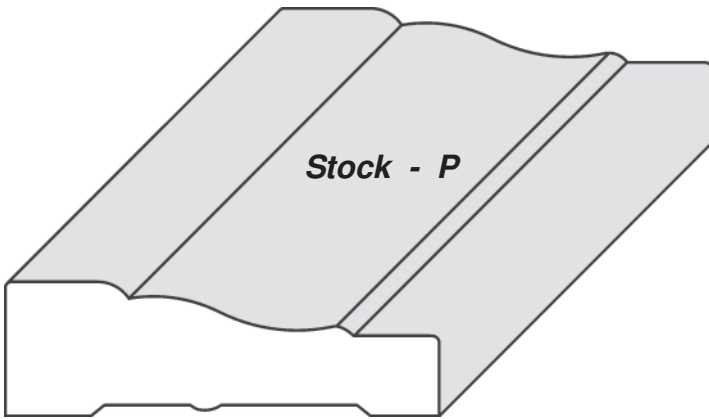


# Table of Contents

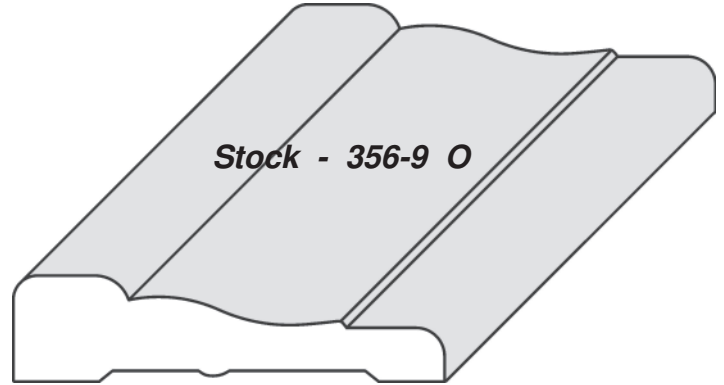
Casing .....	4
Base .....	13
Base Cap .....	18
Crown .....	18
Rails .....	21
Stop / O.S. Corner .....	24
Misc Profiles .....	25
Chair Rail.....	25
T&G / S4S Board / Jambs .....	26
Rosettes / Base Blocks .....	27
Plinth Blocks / Keystones .....	28
Additional Items.....	29

*All drawings contained in this catalog are close approximations of the actual trim, and are not drawn to scale. Scaled drawings can be provided if needed.*

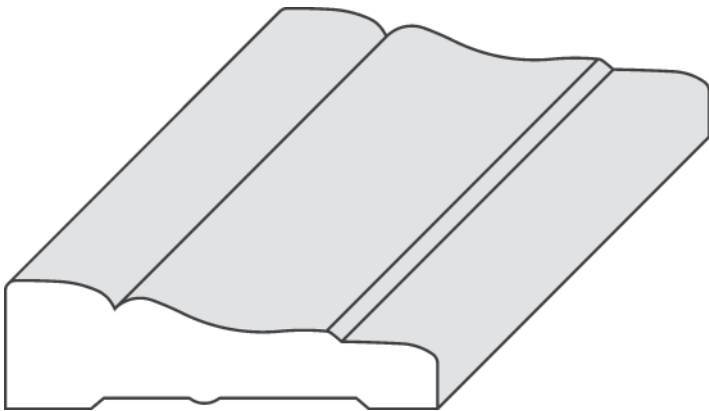




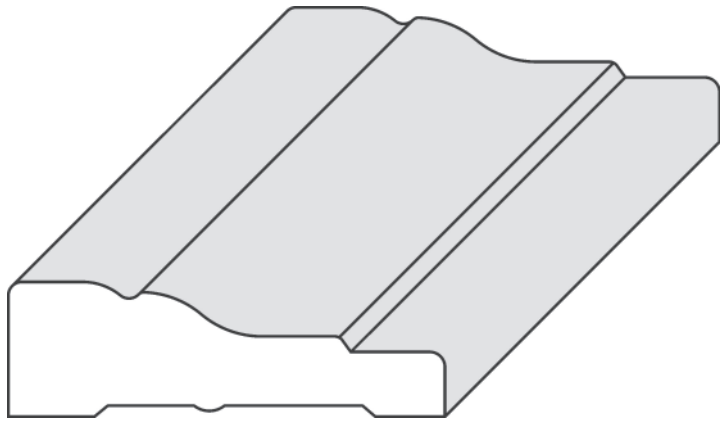
**356 Poplar** - 11/16" x 2 1/4"



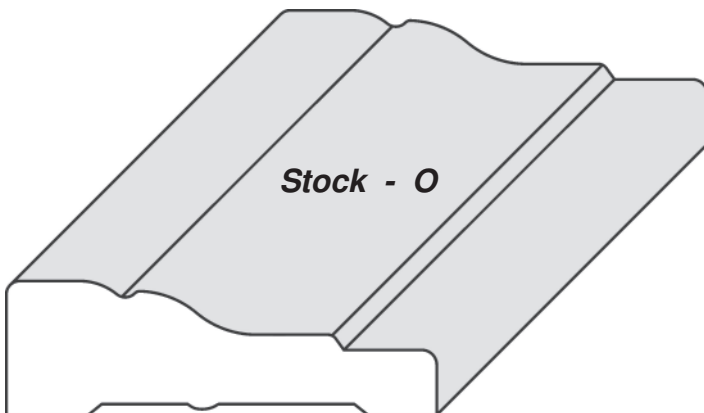
**356-9** - 9/16" x 2 1/4"  
**C356A** - 1/2" x 2 1/4"



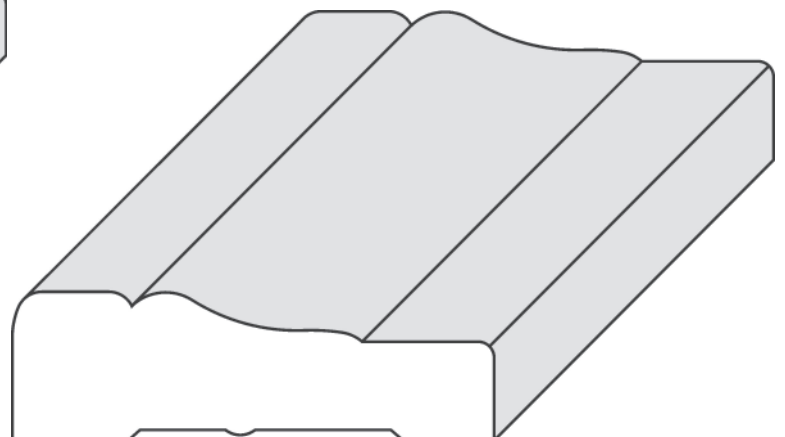
**C001** - 11/16" x 2 1/4"



**C003** - 11/16" x 2 1/4"



**356-11** - 11/16" x 2 1/4"



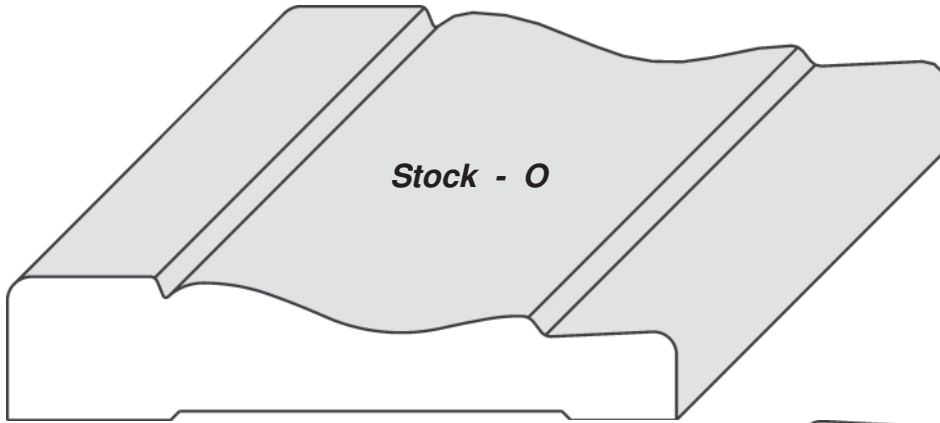
**C012** - 3/4" x 2 1/2"

# Casing

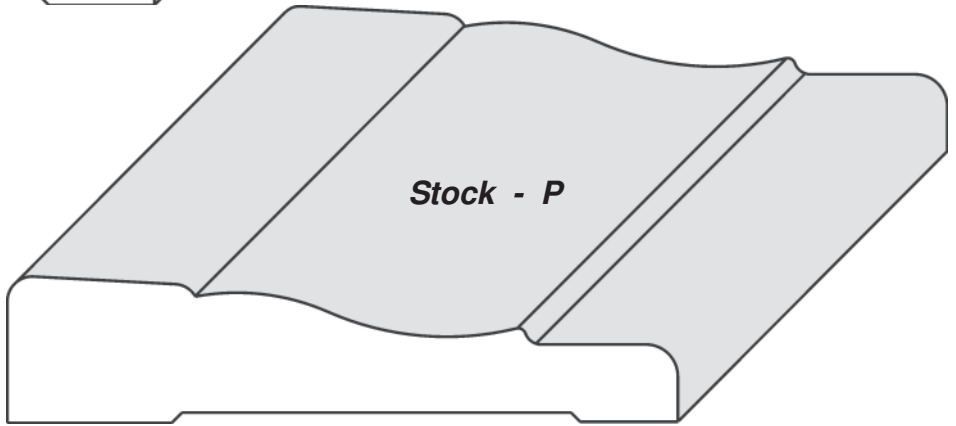
O-Oak P-Poplar B-Birch M-Maple CH-Cherry



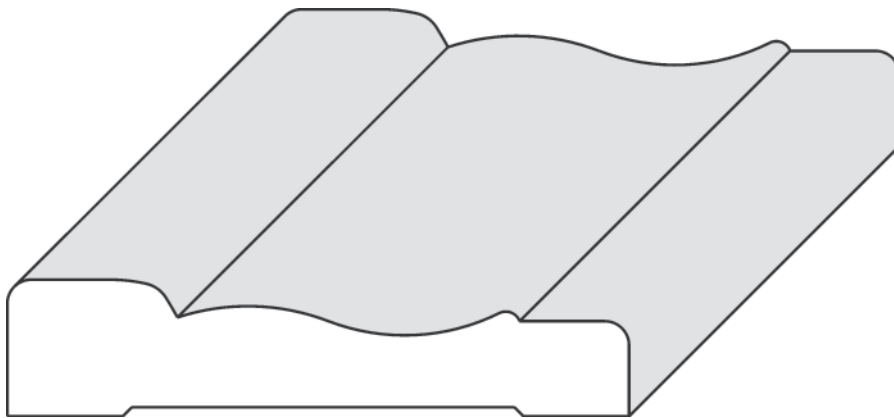
Stock Items Marked "Stock"



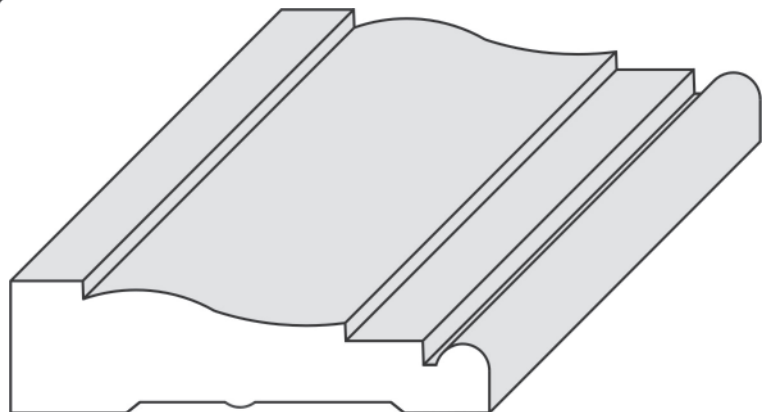
**444-O** - 3/4" x 3 1/2"



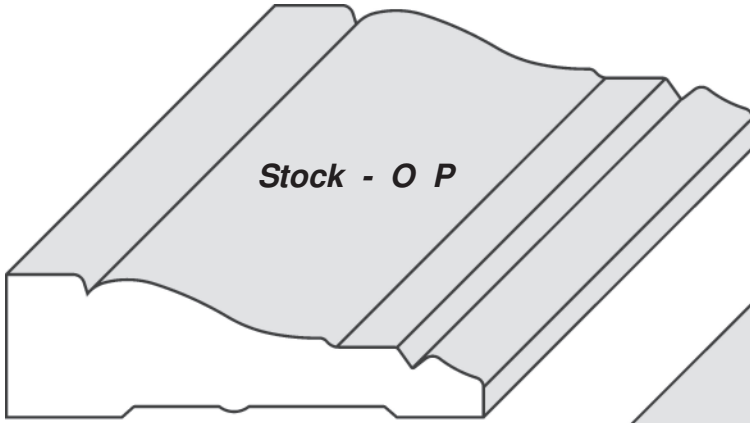
**444-P** - 3/4" x 3 1/2"



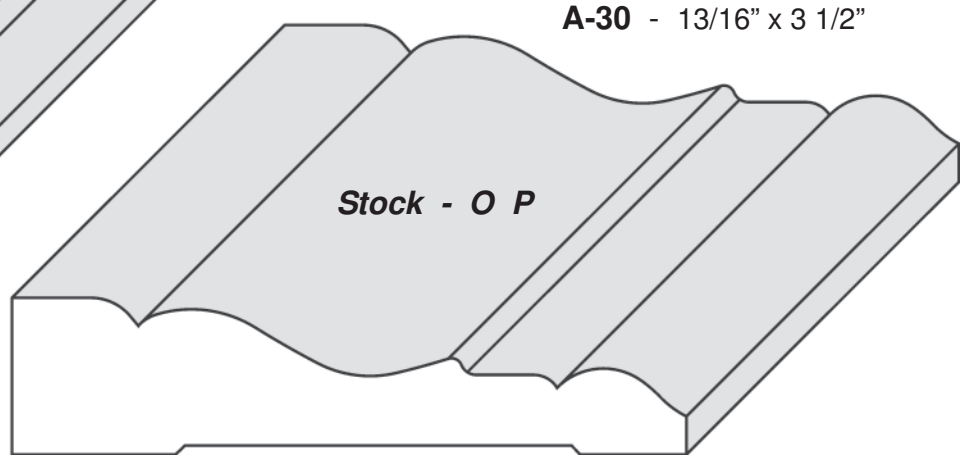
**C004** - 3/4" x 3 1/4"



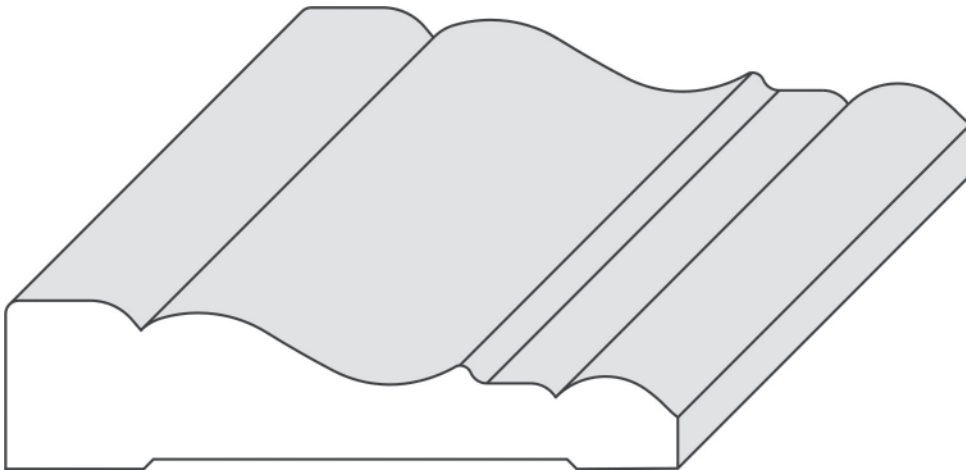
**C028** - 11/16" x 2 1/2"



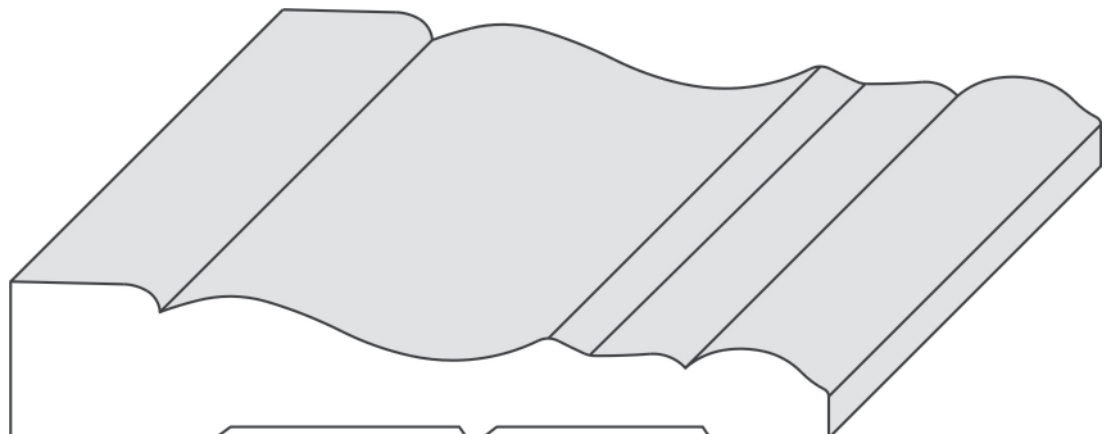
**A-20** - 3/4" x 2 1/2"



**A-30** - 13/16" x 3 1/2"



**C024** - 13/16" x 3 1/4"



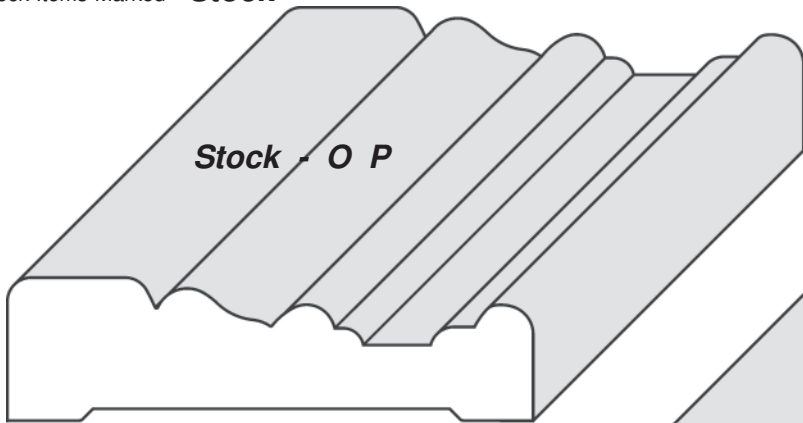
**C013** - 13/16" x 4 1/4"

# Casing

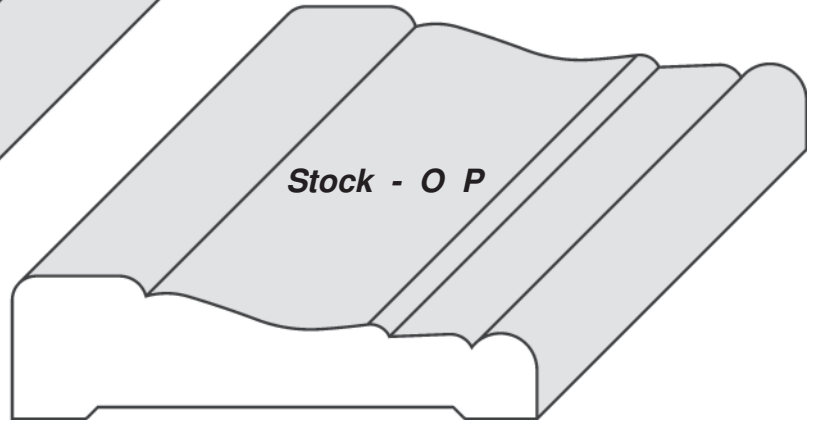
O-Oak P-Poplar B-Birch M-Maple CH-Cherry



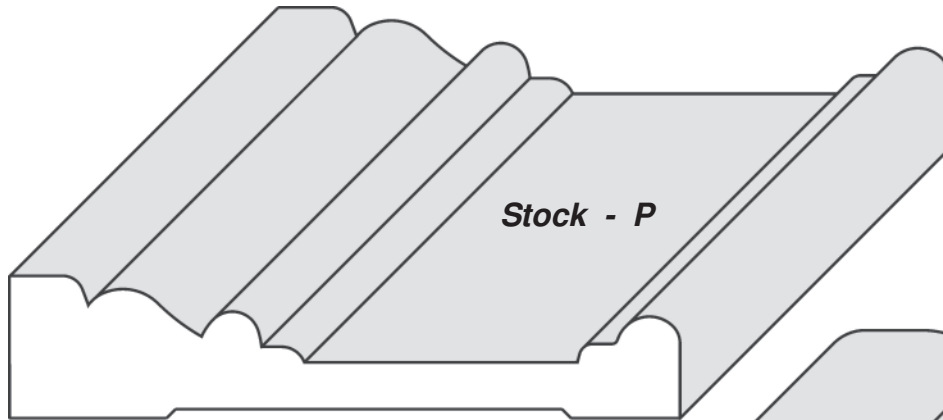
Stock Items Marked "Stock"



**380** - 3/4" x 2 3/4"

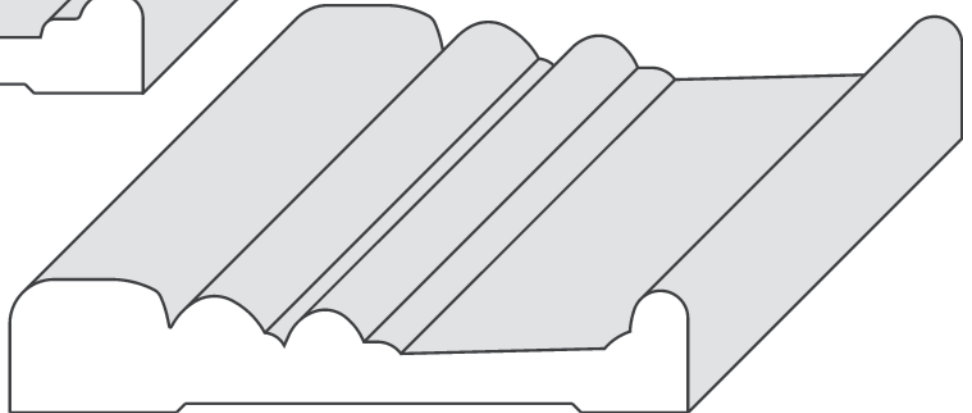


**720** - 3/4" x 2 3/4"

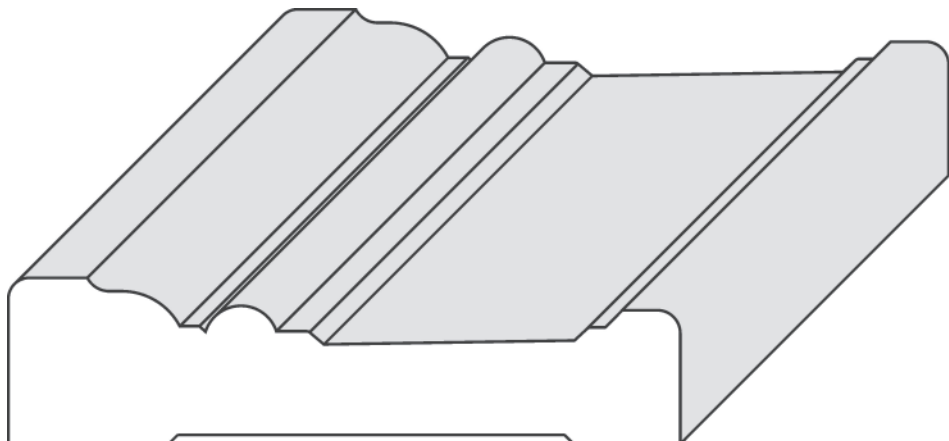


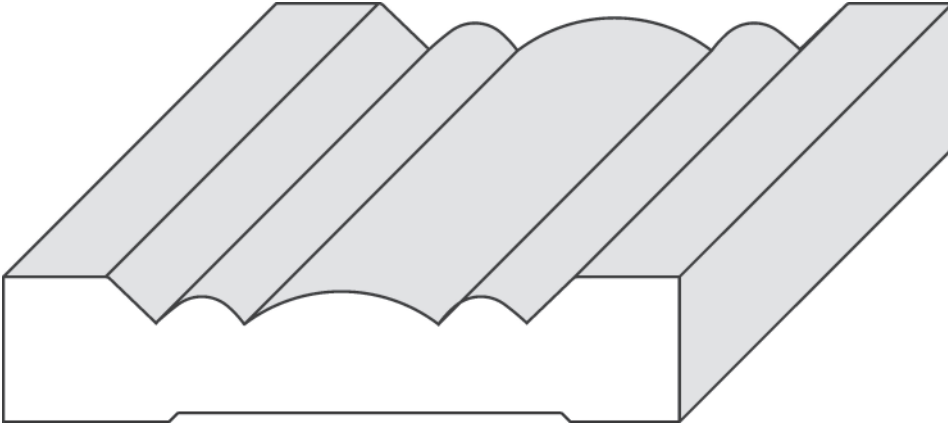
**450** - 3/4" x 3 1/2"

**C007** - 11/16" x 3 1/2"

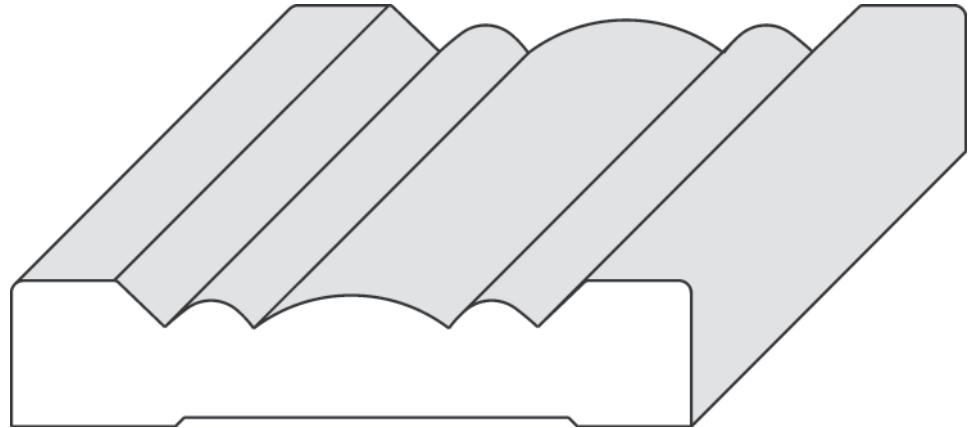


**C008** - 13/16" x 3 1/2"

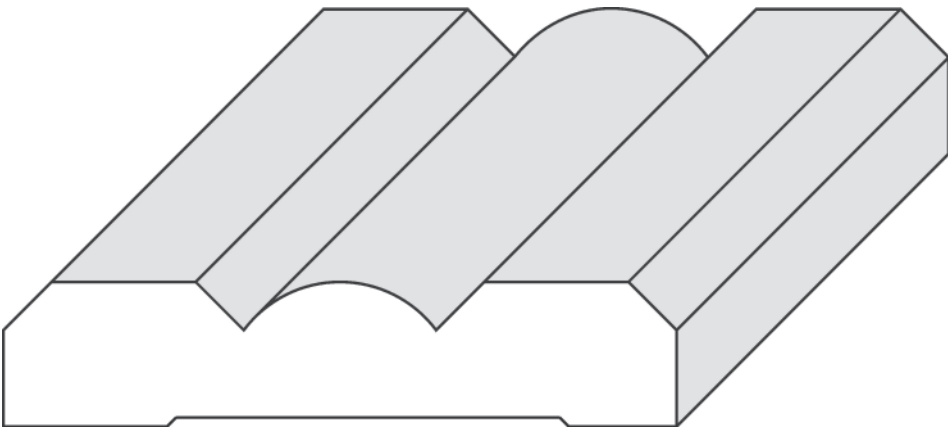




**C002** - 3/4" x 3 1/2"

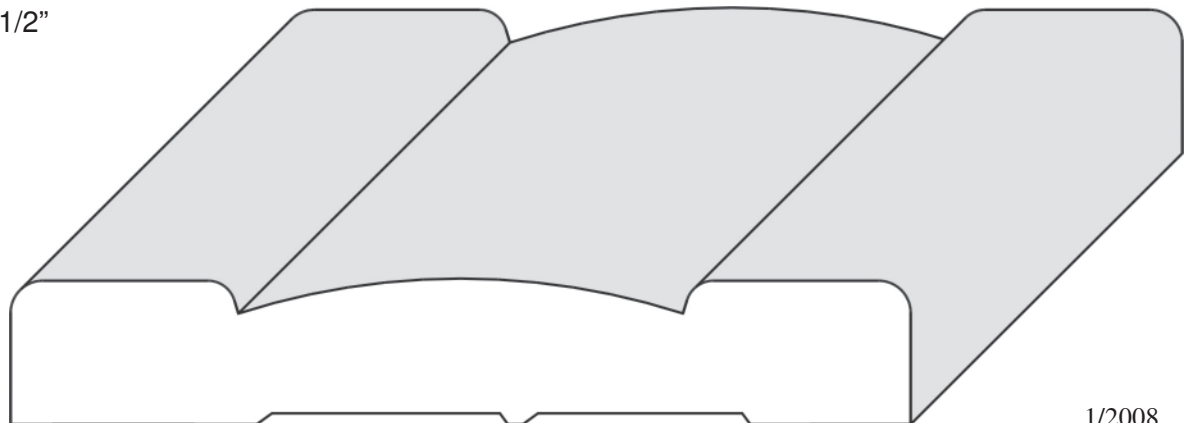


**C002A** - 3/4" x 3 1/2"



**C006** - 3/4" x 3 1/2"

**C027** - 3/4" x 4 11/16"

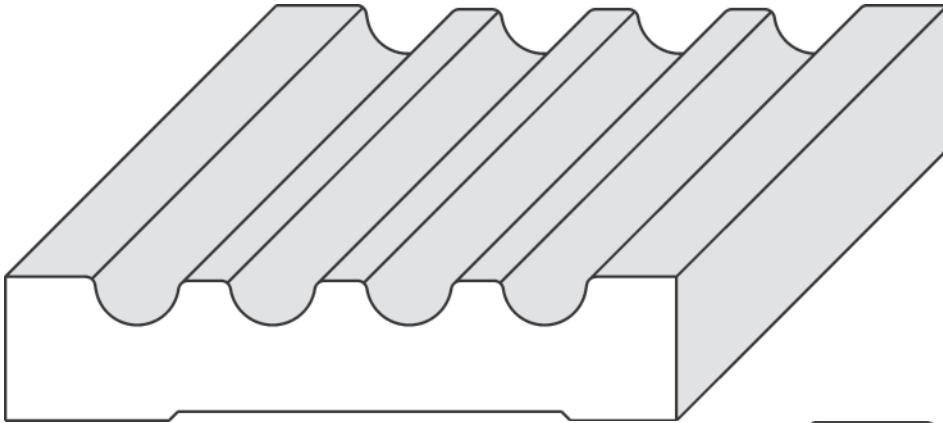


# Casing

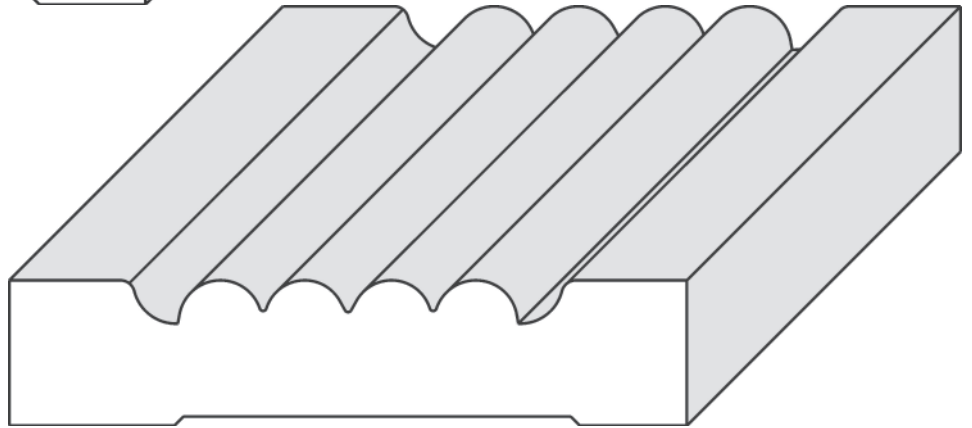
O-Oak P-Poplar B-Birch M-Maple CH-Cherry



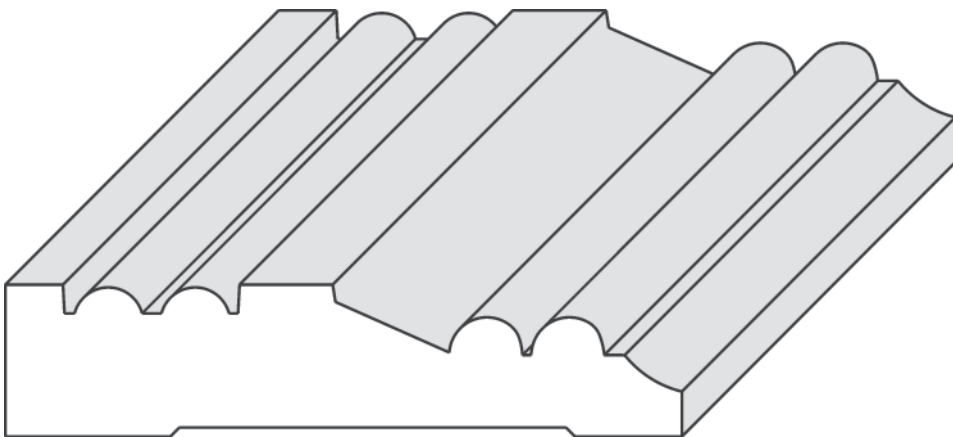
Stock Items Marked "Stock"



**C005** - 3/4" x 3 1/2"

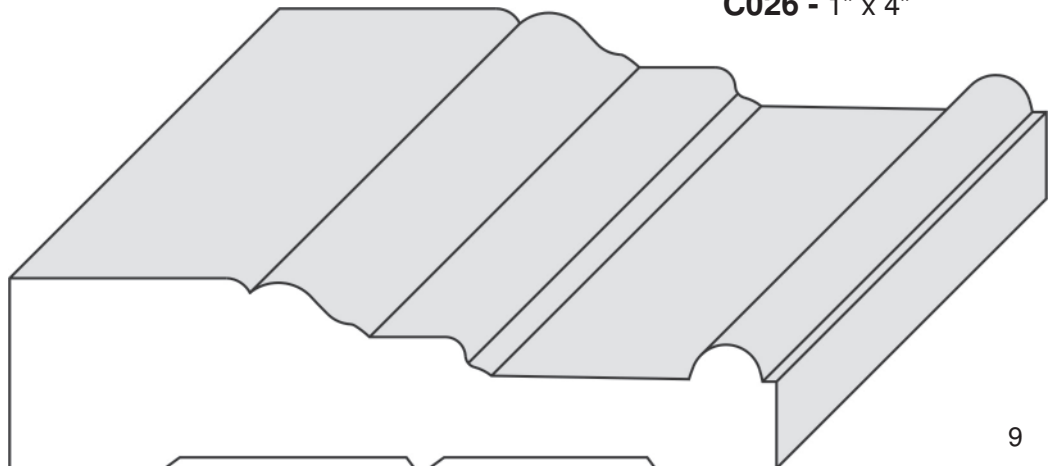


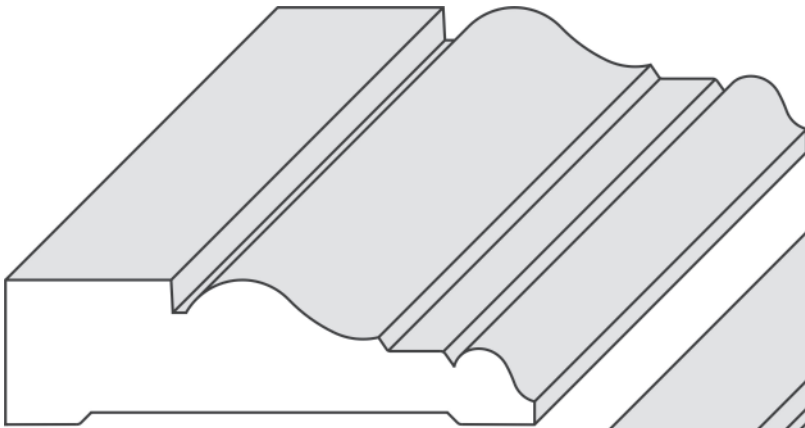
**C015** - 3/4" x 3 1/2"



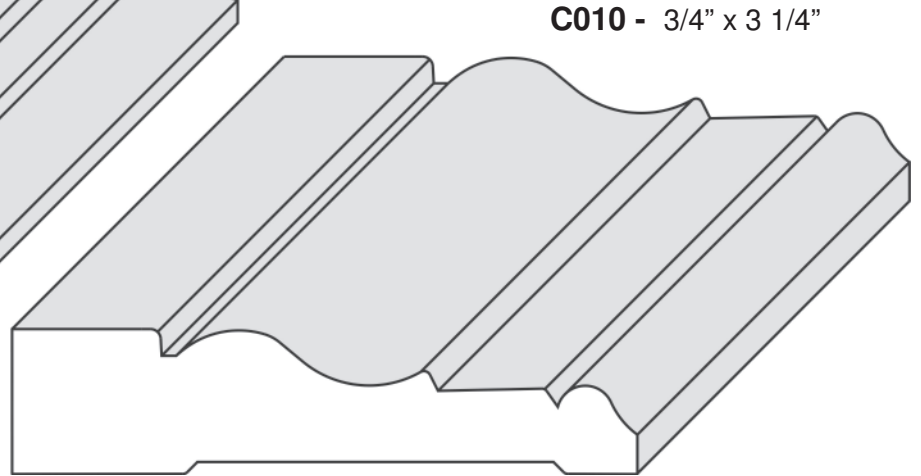
**C014** - 13/16" x 3 1/2"

**C026** - 1" x 4"

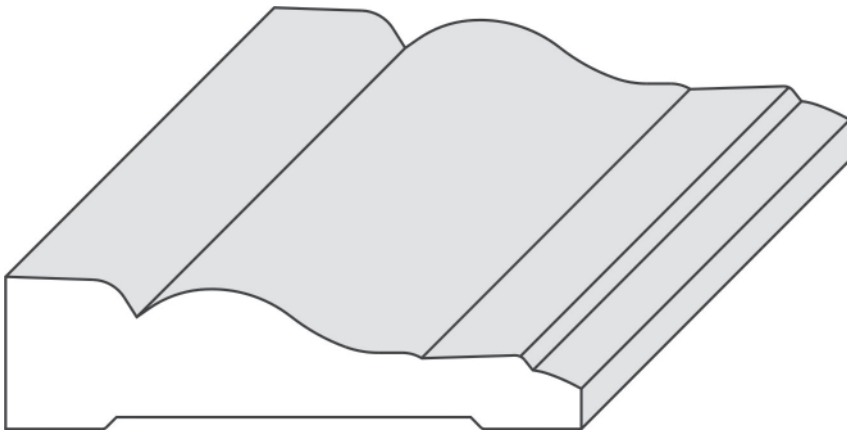




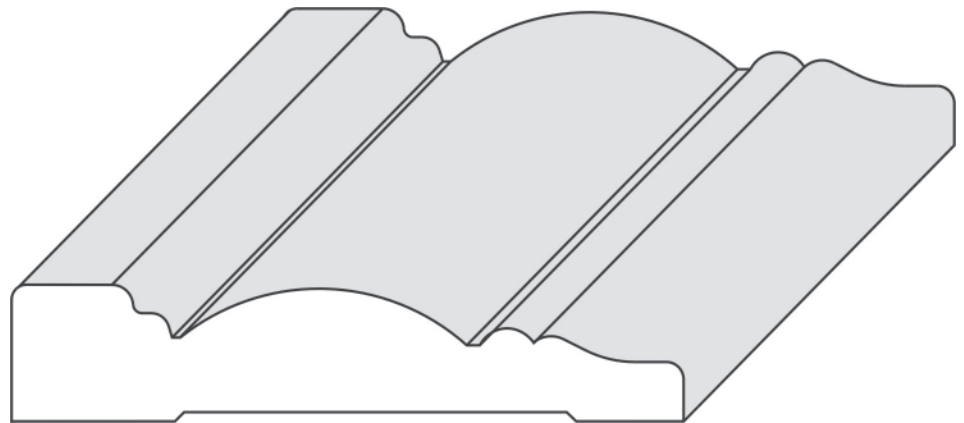
**C009 - 3/4" x 2 3/4"**



**C010 - 3/4" x 3 1/4"**



**C025 - 3/4" x 3"**



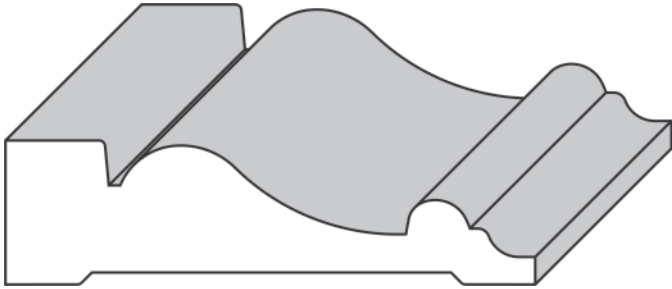
**C023 - 11/16" x 3 1/2"**

# Base

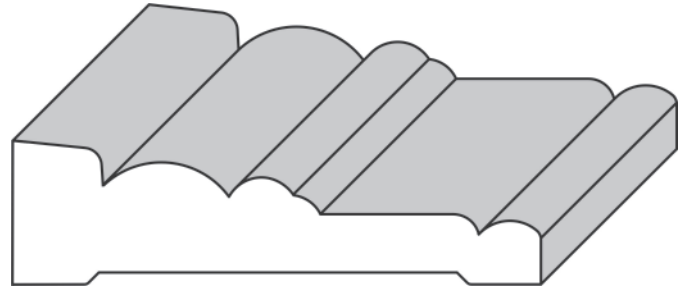
O-Oak P-Poplar B-Birch M-Maple CH-Cherry



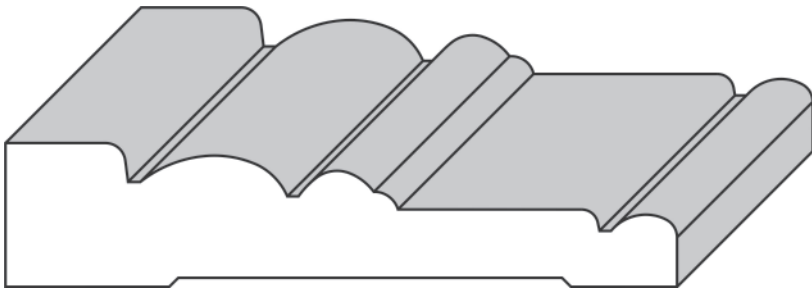
Stock Items Marked "Stock"



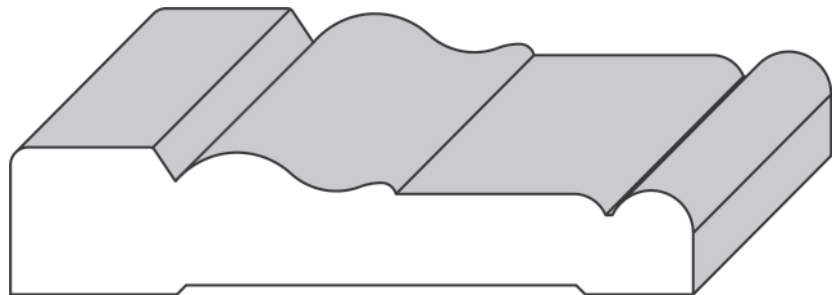
**C016** - 3/4" x 2 3/4"



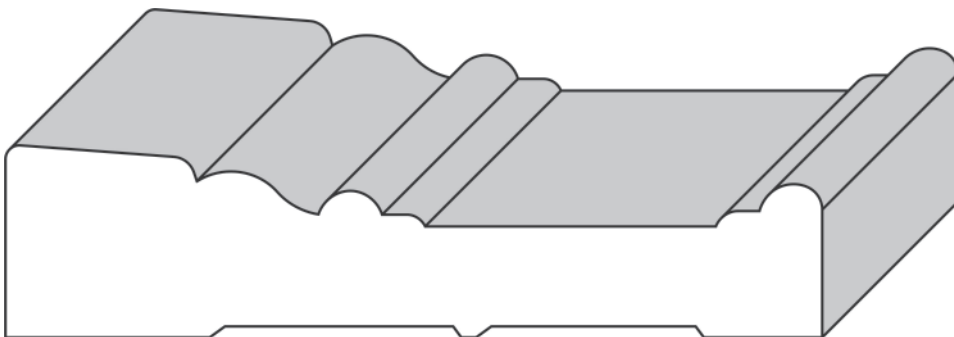
**C019** - 3/4" x 2 3/4"



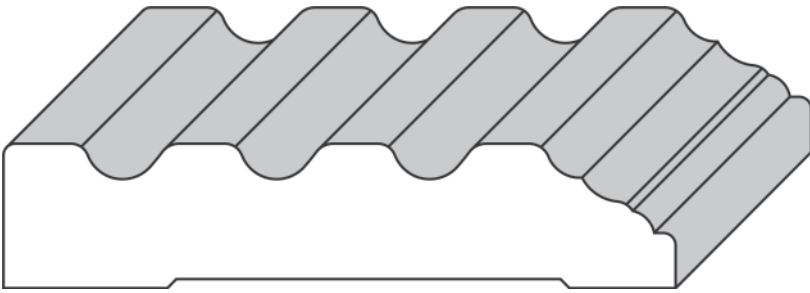
**C020** - 3/4" x 3 1/2"



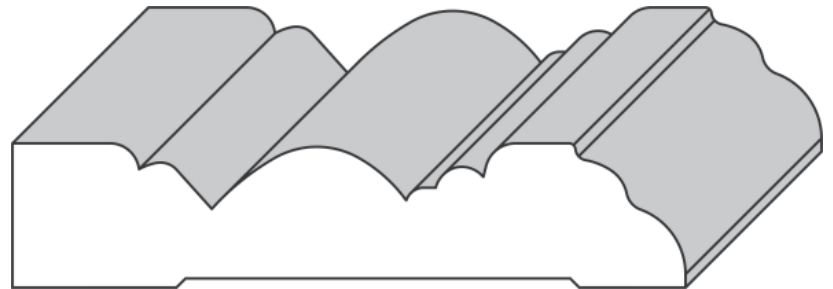
**C022** - 3/4" x 3 1/2"



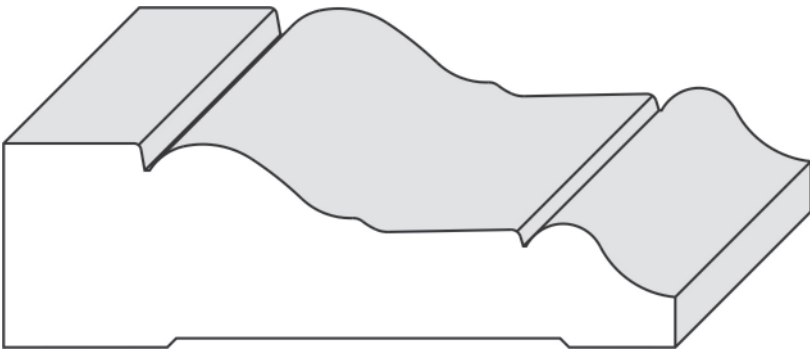
**C021** - 1" x 4 1/4"



**C018** - 3/4" x 3 1/2"



**C017** - 3/4" x 3 1/2"



**C011** - 1 1/16" x 3 1/2"



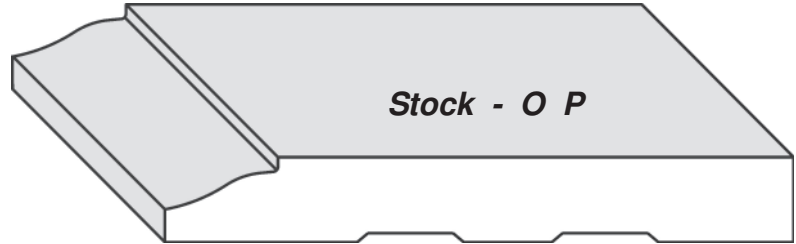
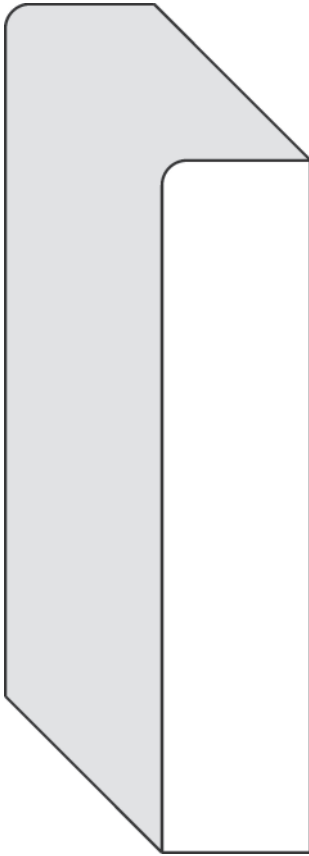
**E2E** - Width Varies x Height Varies

# Base

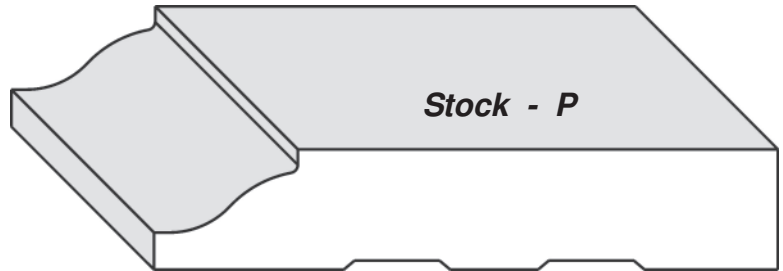
O-Oak P-Poplar B-Birch M-Maple CH-Cherry



Stock Items Marked "Stock"



**623** - 7/16" x 3 1/4"

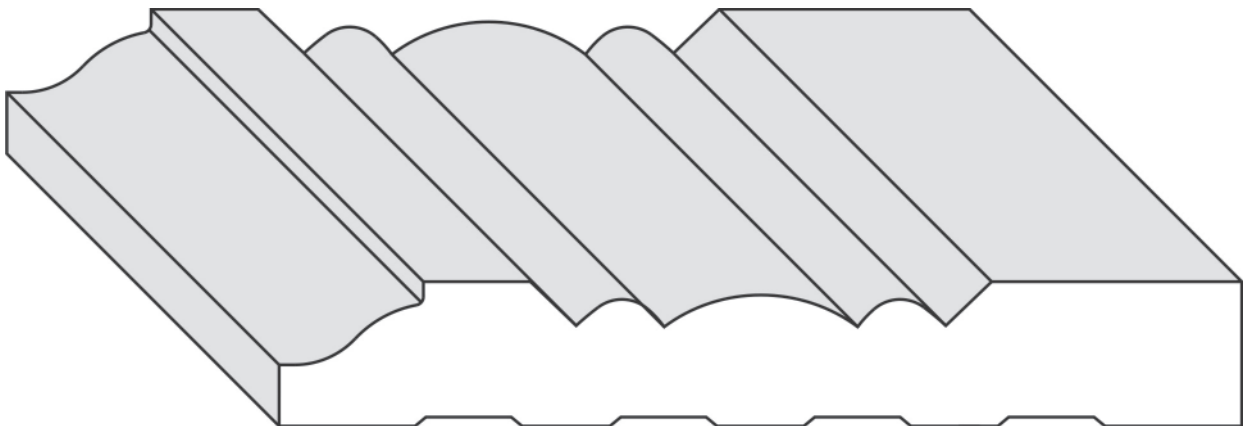


**325** - 5/8" x 3 1/4"

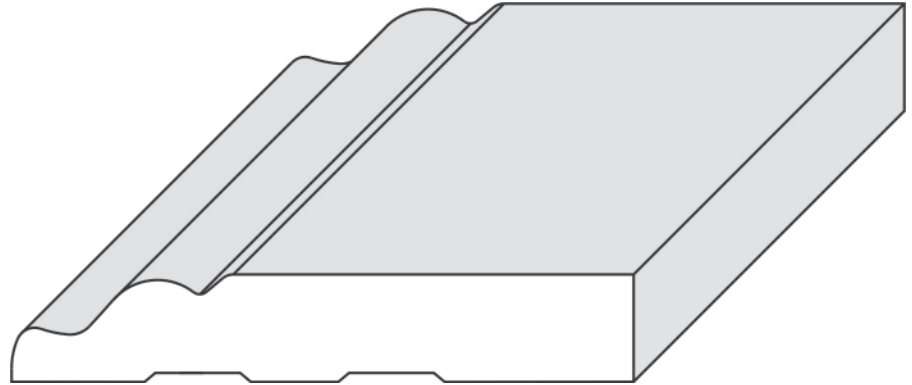
**E1E** - Width Varies x Height Varies



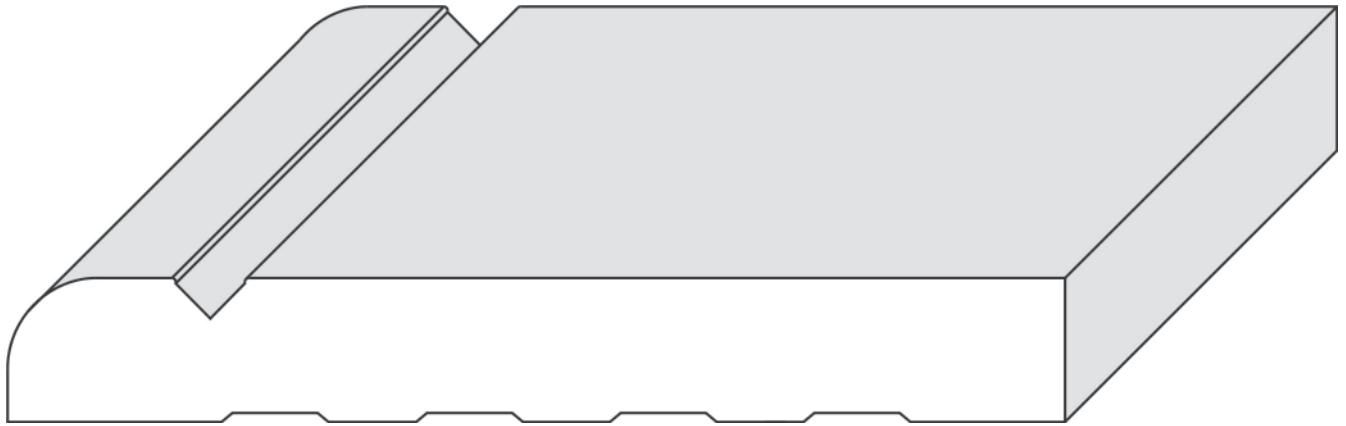
**220** - 9/16" x 4 1/2"



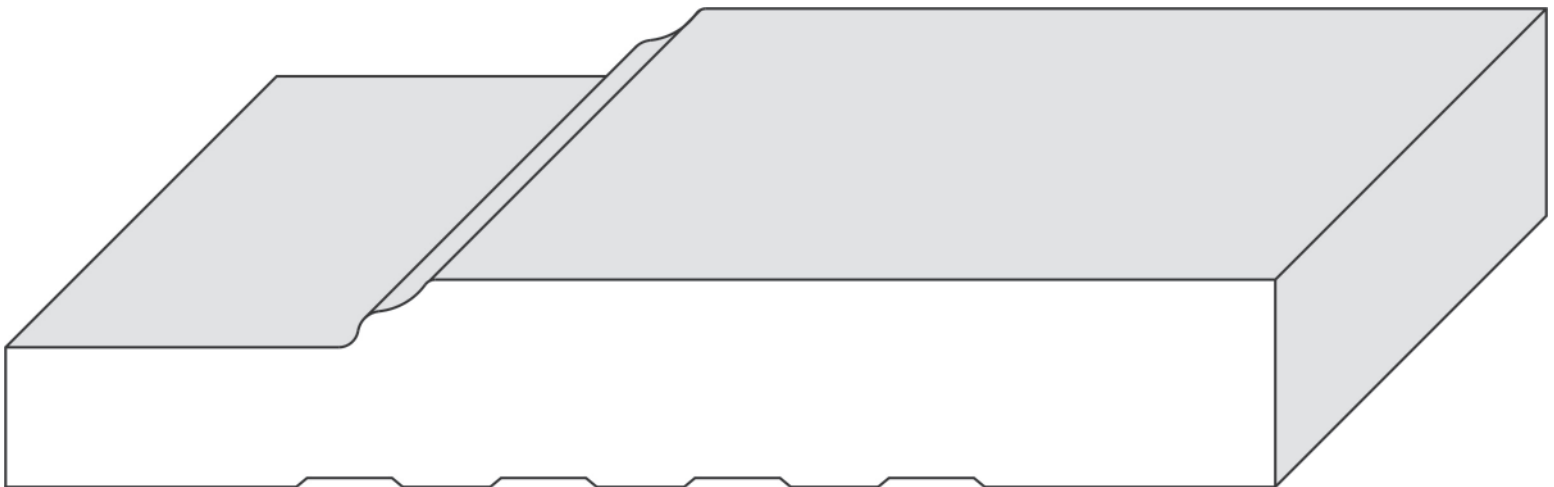
**B013** - 3/4" x 5"



**B010** - 9/16" x 3 1/4"



**B011** - 3/4" x 5 1/2"



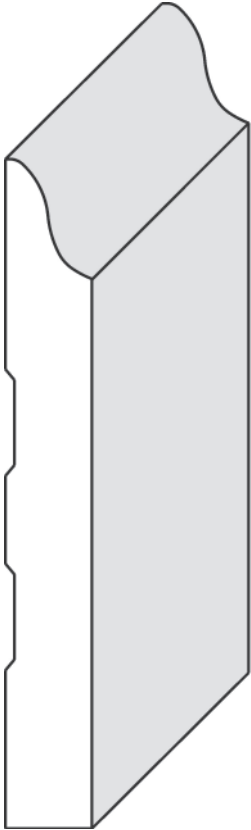
**B012** - 1 1/8" x 6 5/8"

# Base

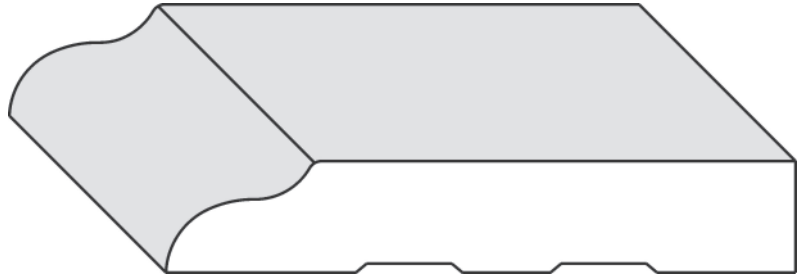
O-Oak P-Poplar B-Birch M-Maple CH-Cherry



Stock Items Marked "Stock"



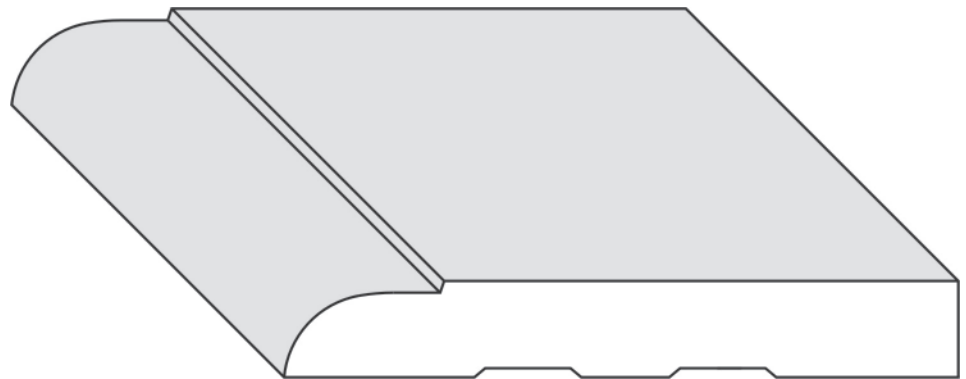
**B005** - 7/16" x 3 1/2"



**B002** - 5/8" x 3 1/4"



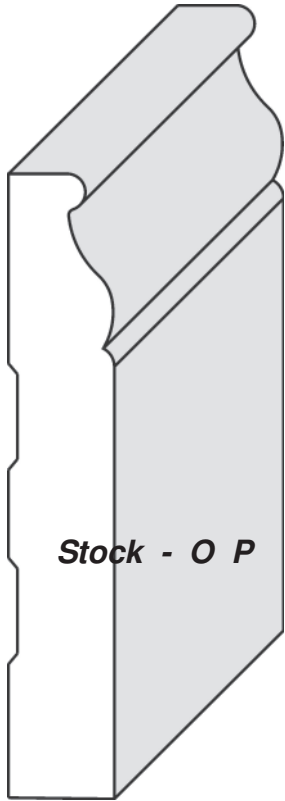
**B009** - 11/16" x 3 1/2"



**B014** - 1/2" x 3 1/2"



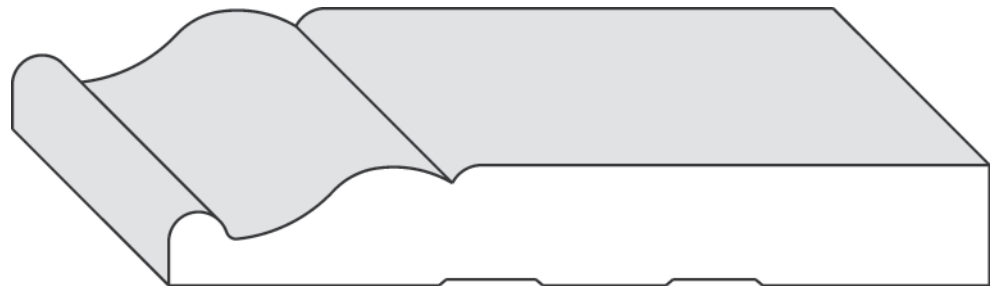
**B003** - 5/8" x 5 1/2"



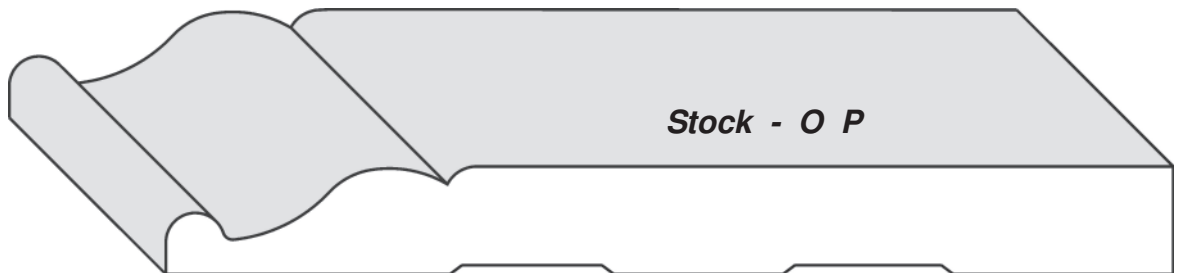
**805** - 9/16" x 3 1/4"



**808** - 9/16" x 4 1/4"



**B808** - 5/8" x 4 1/4"



**813** - 9/16" x 5 1/4"



**813A** - 9/16" x 7 1/4"

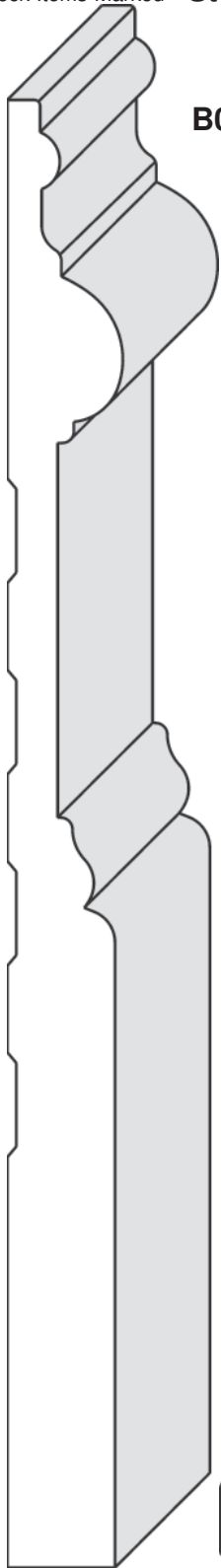
**813B** - 9/16" x 8"

# Base

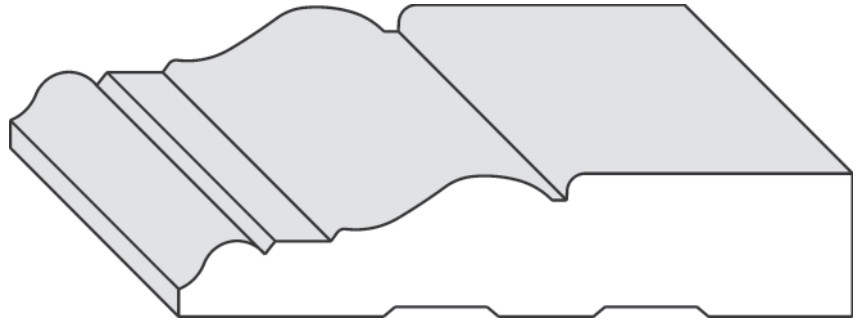
O-Oak P-Poplar B-Birch M-Maple CH-Cherry



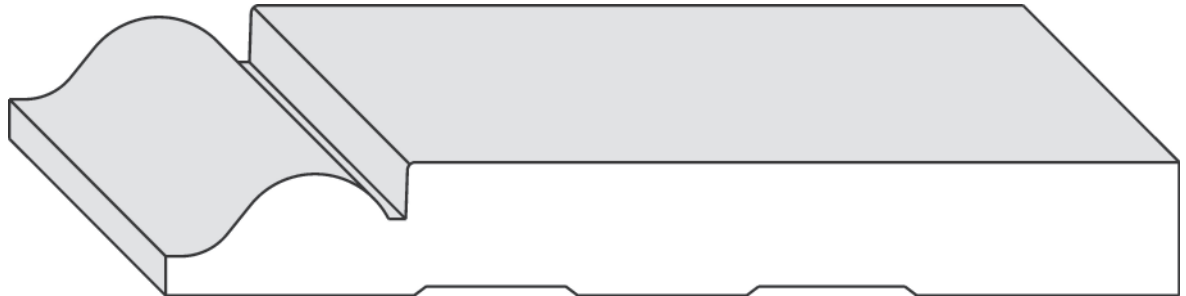
Stock Items Marked "Stock"



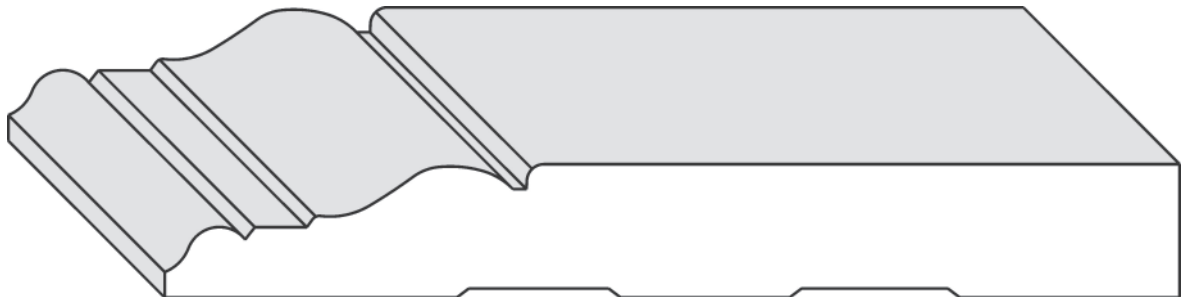
**B004** - 5/8" x 7 3/4"



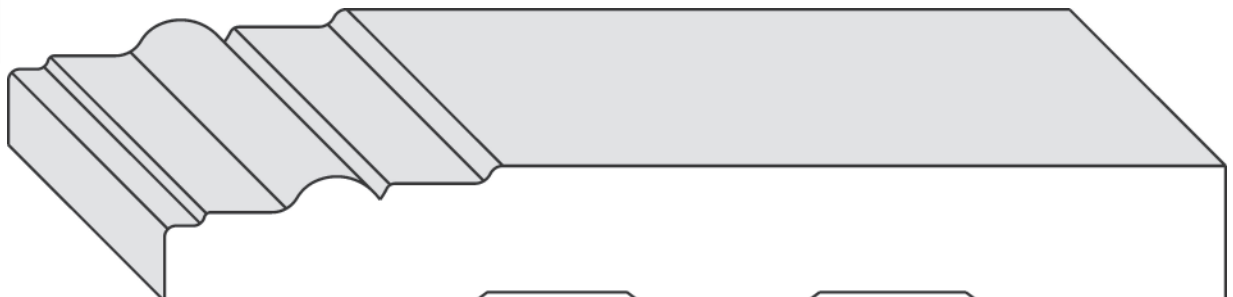
**B006** - 11/16" x 3 1/2"



**B008** - 11/16" x 5 1/4"



**B007** - 11/16" x 5 1/4"



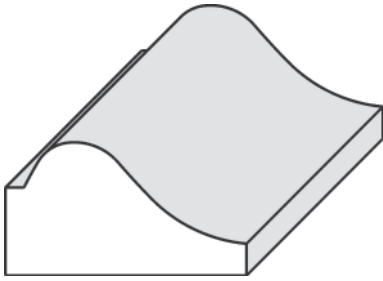
**B001** - 11/16" x 5 1/2"



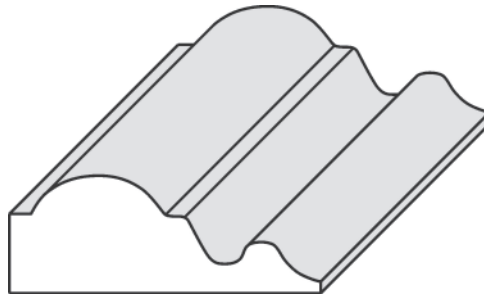
# Base Cap

O-Oak P-Poplar B-Birch M-Maple CH-Cherry

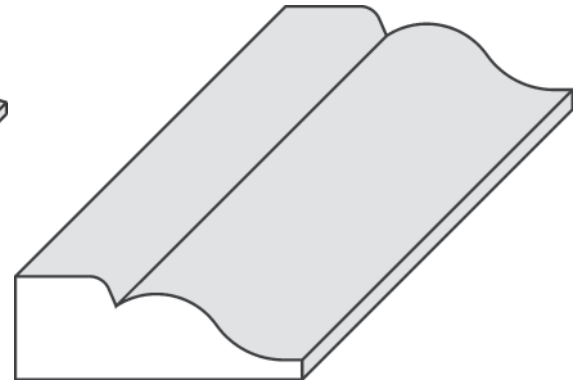
Stock Items Marked "Stock"



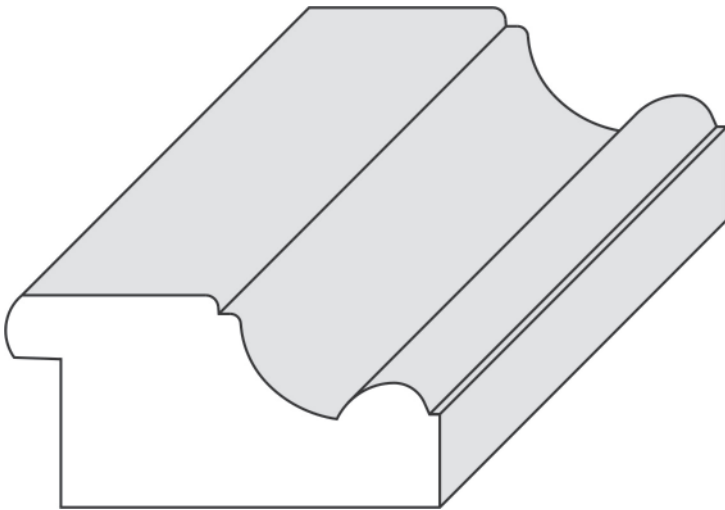
**MBC1** - 11/16" x 1 1/4"



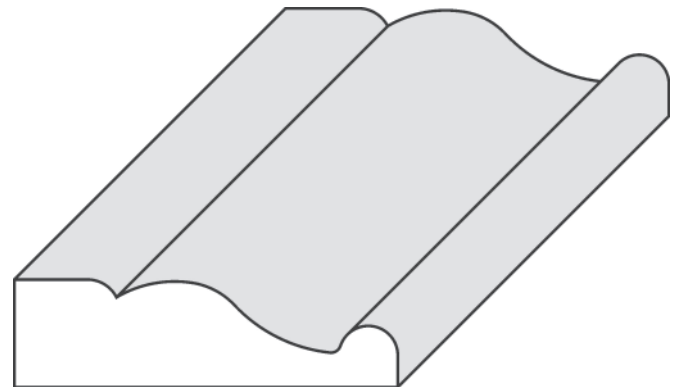
**MBC2** - 5/8" x 1 5/8"



**MBC4** - 9/16" X 1 1/2"



**MBC5** - 2 1/8" x 1 1/16"



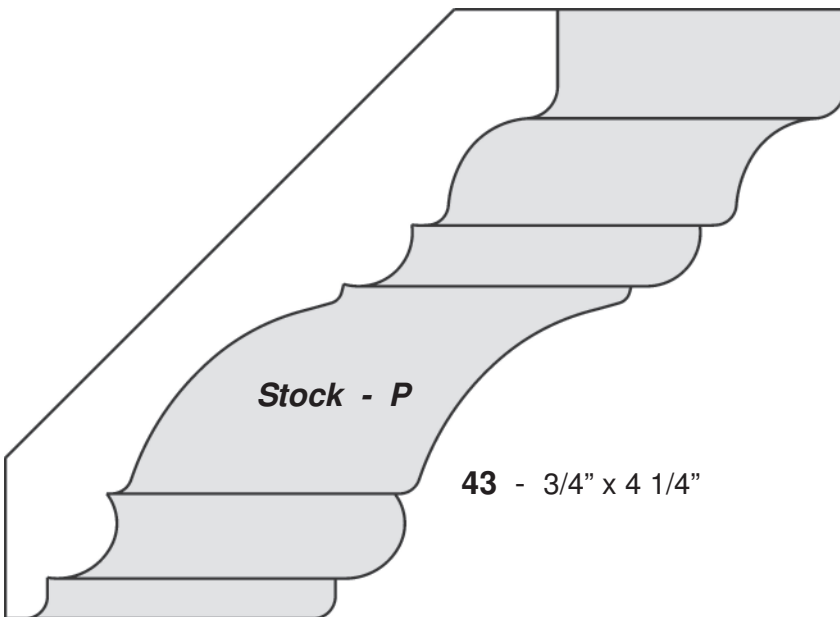
**MBC3** - 9/16" x 2"



# Crown

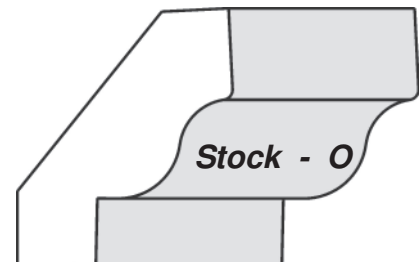
O-Oak P-Poplar B-Birch M-Maple CH-Cherry

Stock Items Marked As Designated



**Stock - P**

**43** - 3/4" x 4 1/4"



**Stock - O**

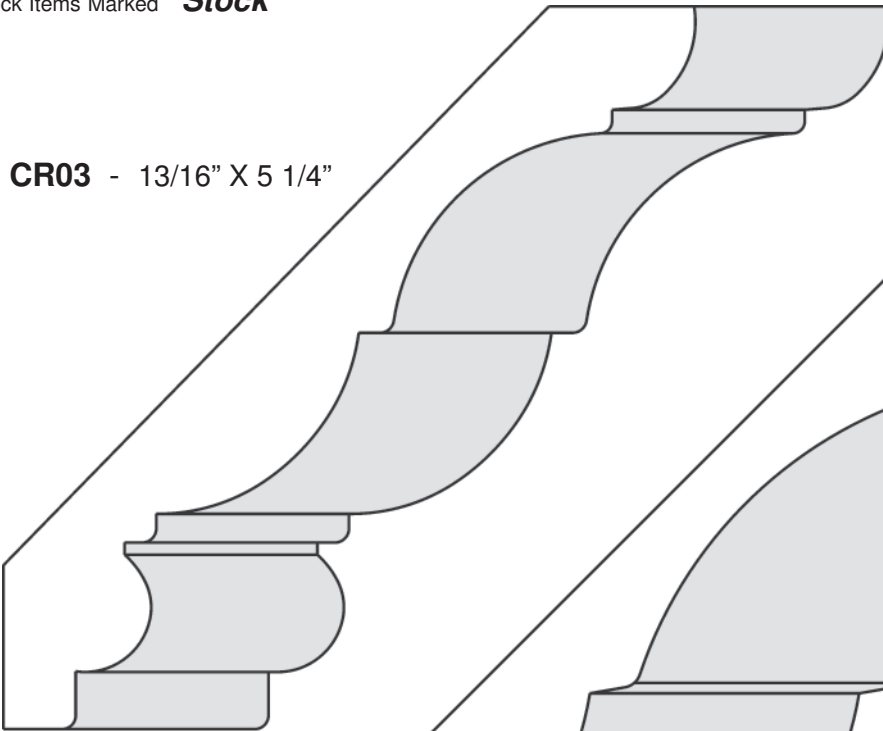
**134** - 9/16" x 1 3/4"

# Crown

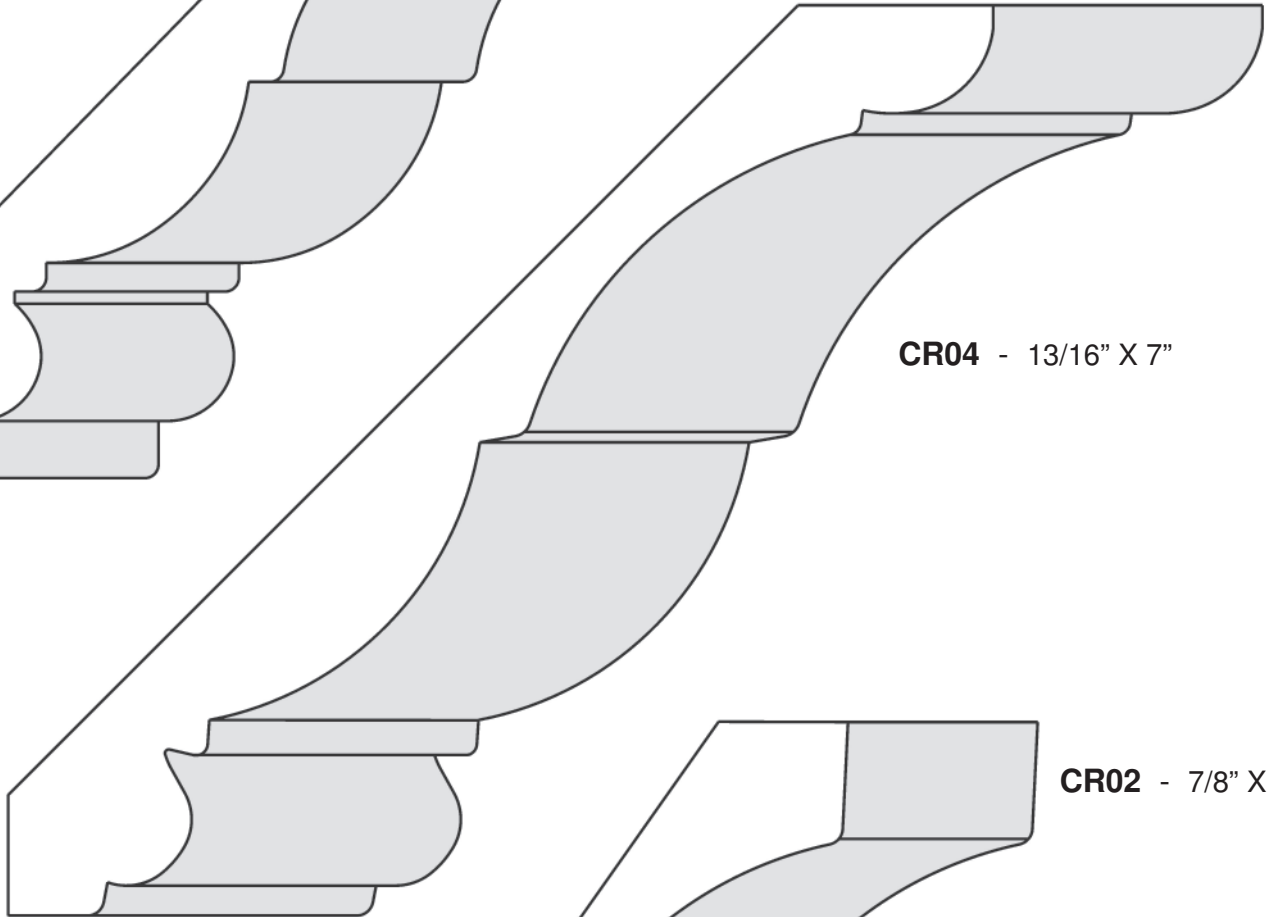
O-Oak P-Poplar B-Birch M-Maple CH-Cherry



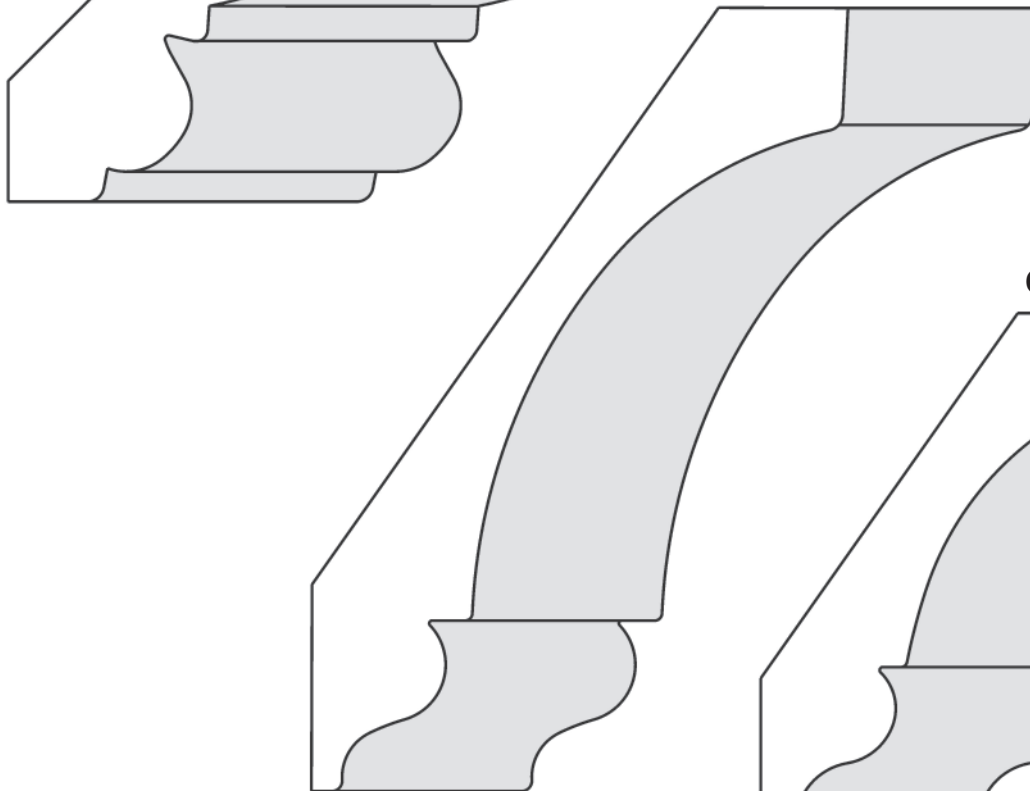
Stock Items Marked "Stock"



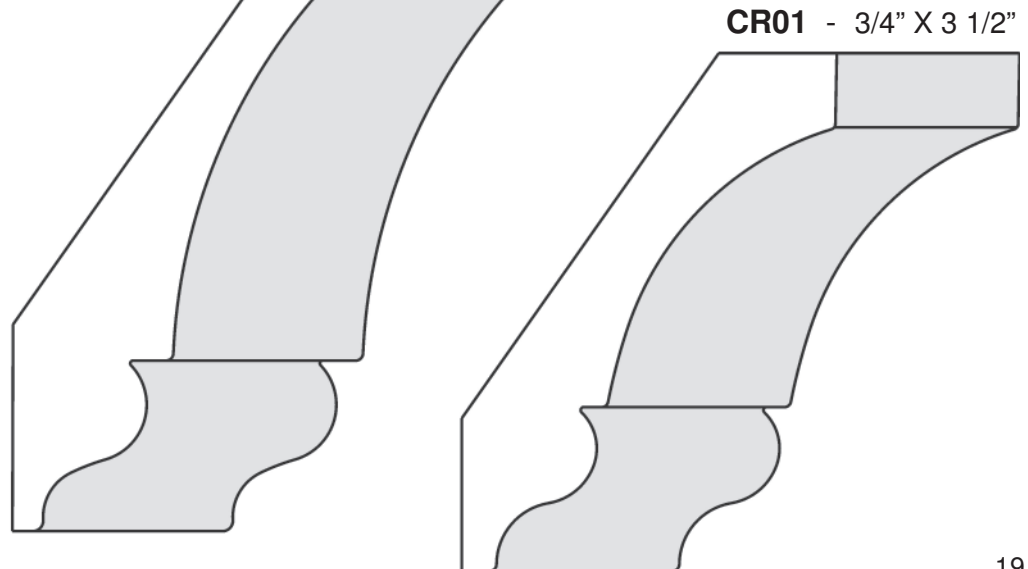
**CR03** - 13/16" X 5 1/4"



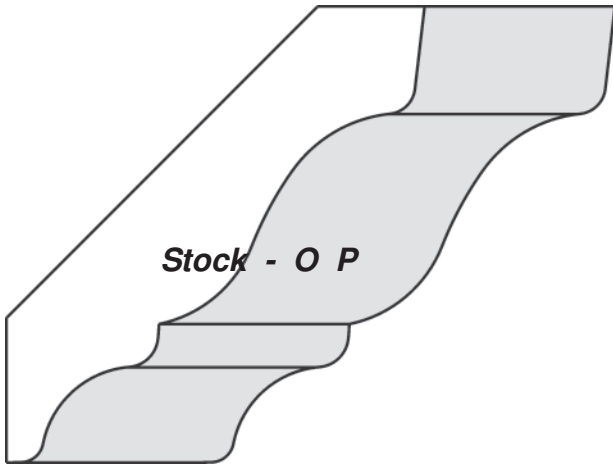
**CR04** - 13/16" X 7"



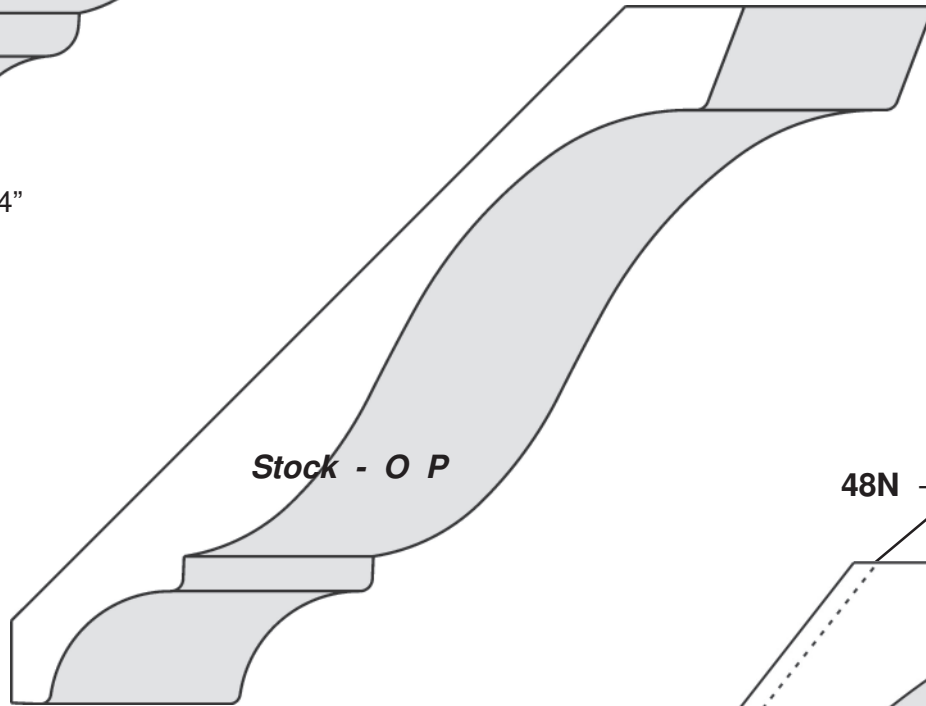
**CR02** - 7/8" X 5"



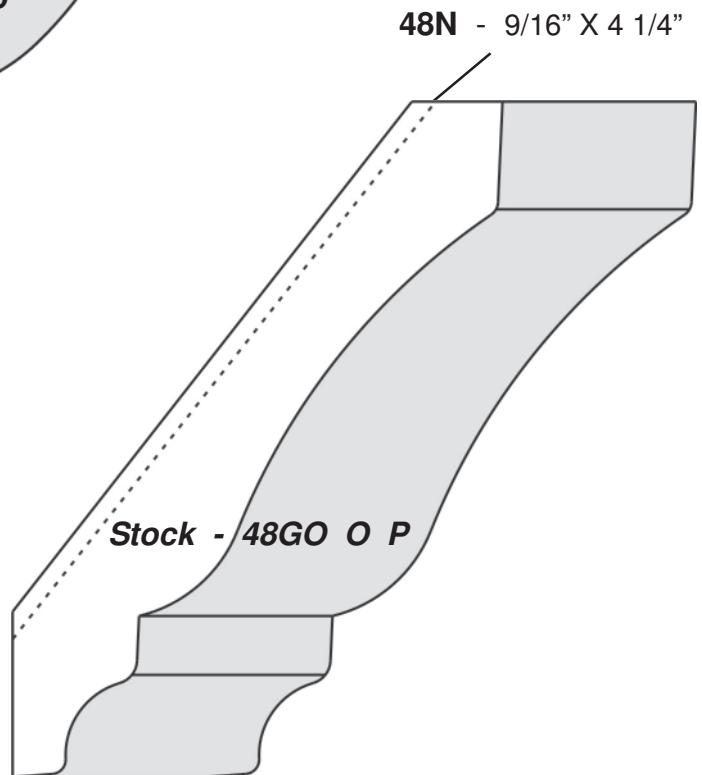
**CR01** - 3/4" X 3 1/2"



**49GO** - 11/16" X 3 1/4"



**46** - 9/16" X 5 1/4"



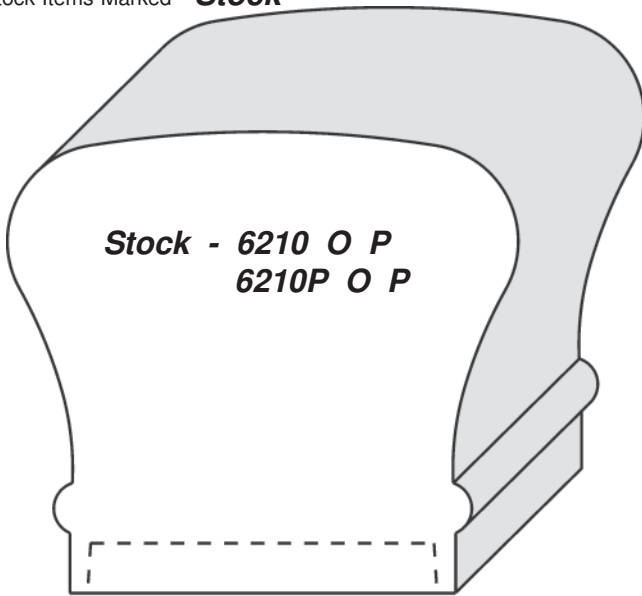
**48GO** - 11/16" X 4 1/4"

# Rails

O-Oak P-Poplar B-Birch M-Maple CH-Cherry



Stock Items Marked "Stock"

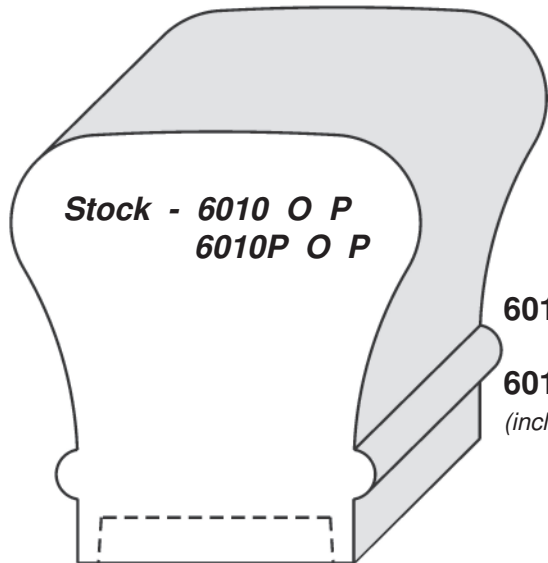


**Stock - 6210 O P**  
**6210P O P**

**6210** - 2 5/8" X 2 3/8"

**6210P** - 2 5/8" X 2 3/8"

*(includes plow)*

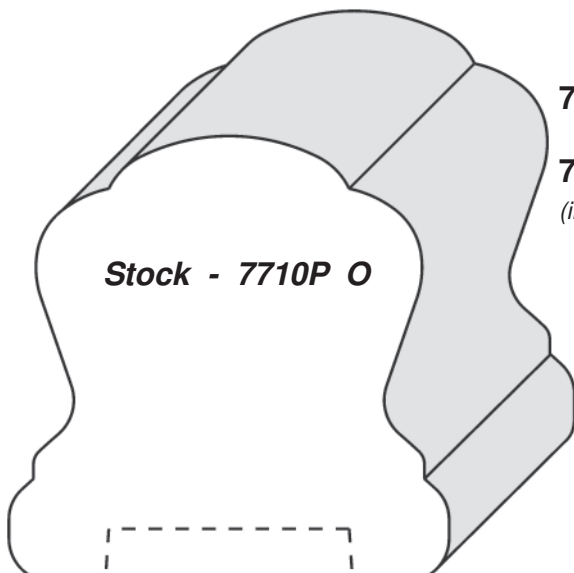


**Stock - 6010 O P**  
**6010P O P**

**6010** - 2 1/4" X 2 3/8"

**6010P** - 2 1/4" X 2 3/8"

*(includes plow)*

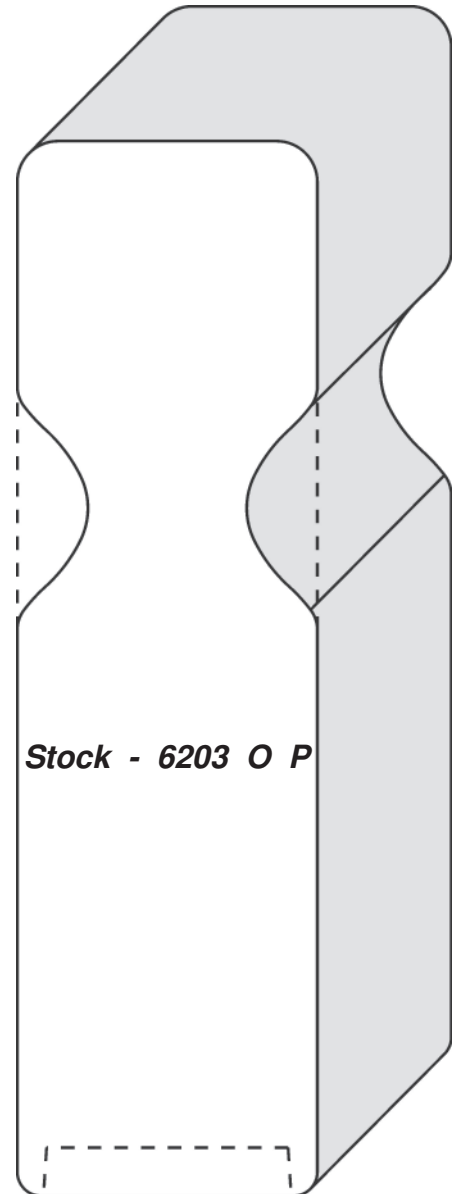


**Stock - 7710P O**

**7710** - 2 5/16" X 2 5/16"

**7710P** - 2 5/16" X 2 5/16"

*(includes plow)*



**Stock - 6203 O P**

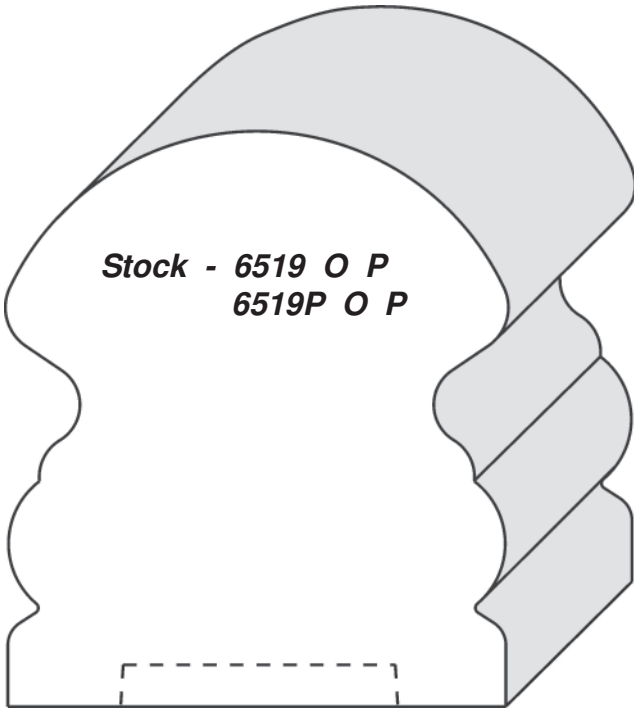
**6203** - 1 9/16" X 5 1/2"

**6203P** - 1 9/16" X 5 1/2"

*(includes plow)*

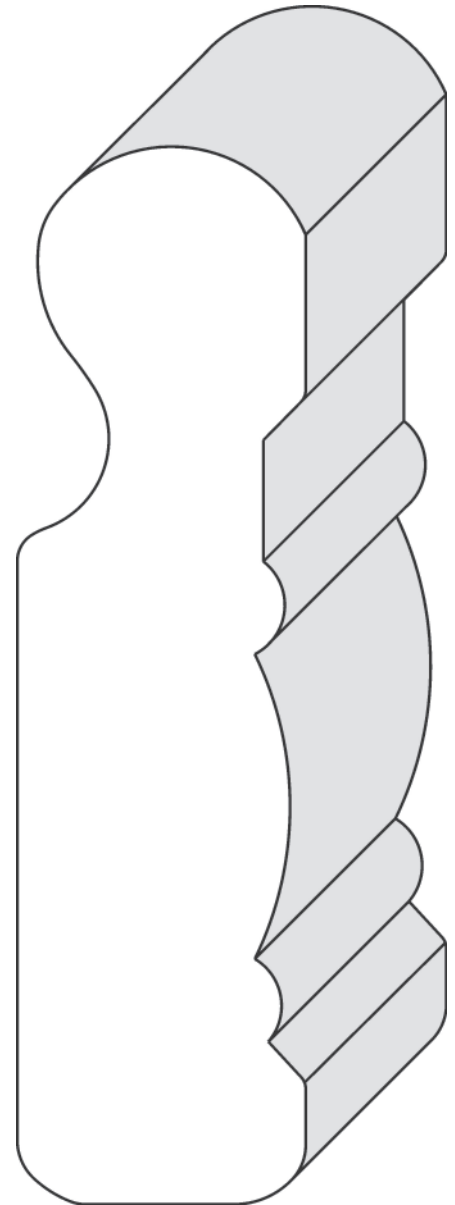
**6203A** - 1 9/16" X 5 1/2"

*(no finger grips)*

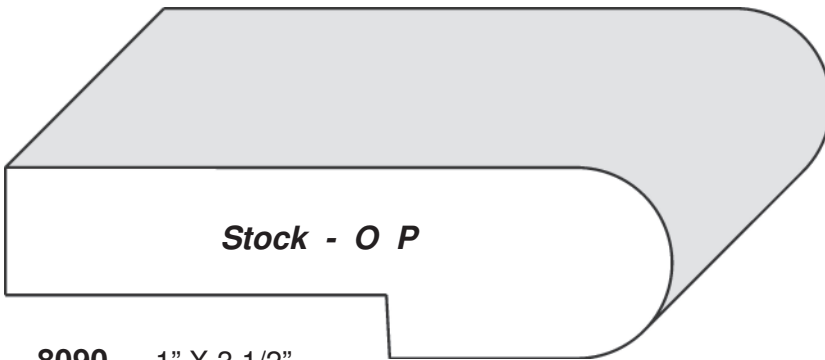


**6519** - 2 5/8" X 3"

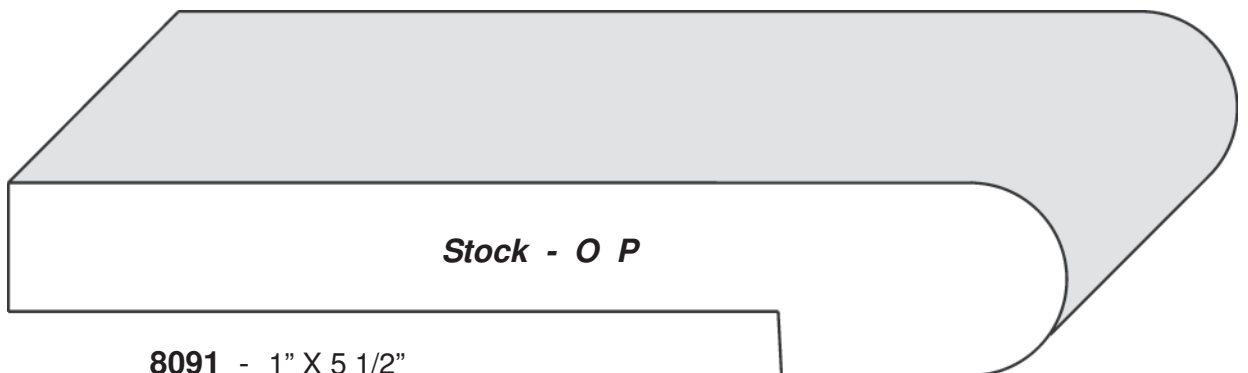
**6519P** - 2 5/8" X 3"  
(includes plow)



**H001** - 1 1/2" X 5 1/2"



**8090** - 1" X 3 1/2"



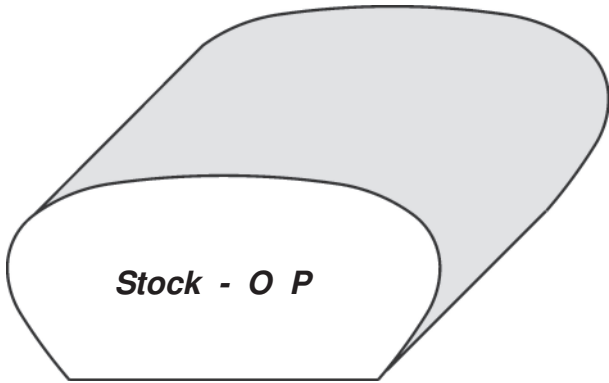
**8091** - 1" X 5 1/2"

# Rails

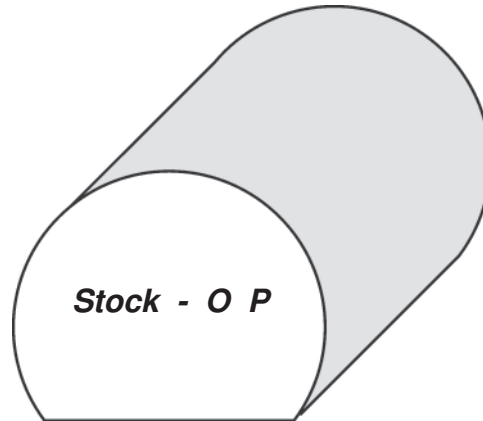
O-Oak P-Poplar B-Birch M-Maple CH-Cherry



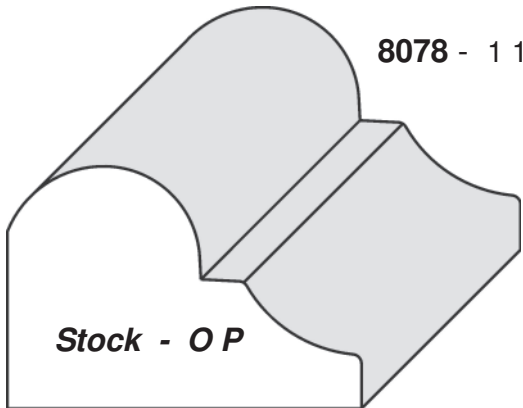
Stock Items Marked "Stock"



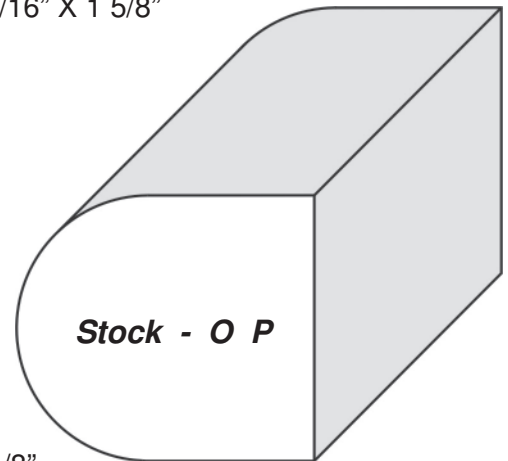
6042 - 1 1/16" X 2 1/4"



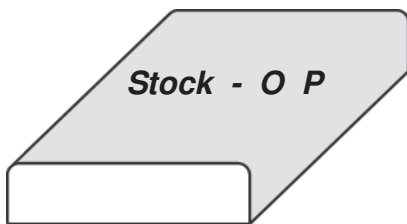
6040 - 1 5/16" X 1 5/8"



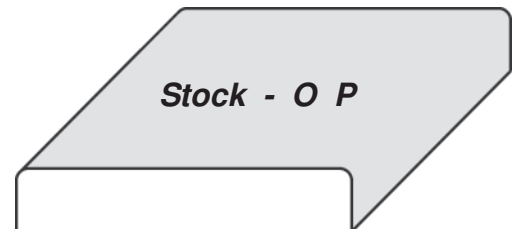
8078 - 1 1/4" X 1 13/16"



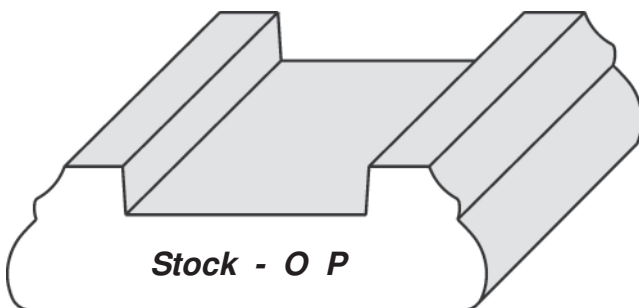
8080 - 1" x 1 1/8"



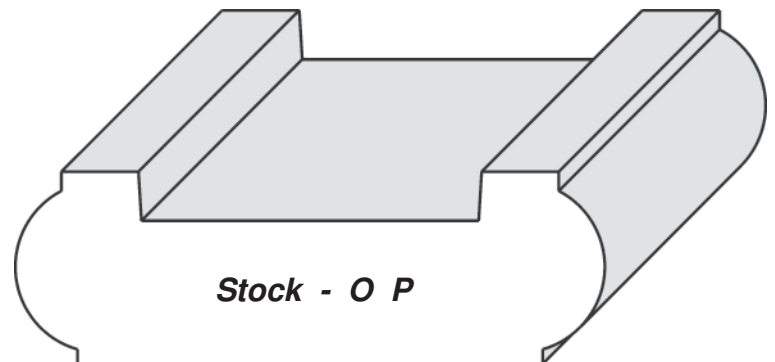
6050 - 5/16" X 1 1/4"



6007 - 5/16" X 1 3/4"



6045 - 3/4" X 2 1/2"



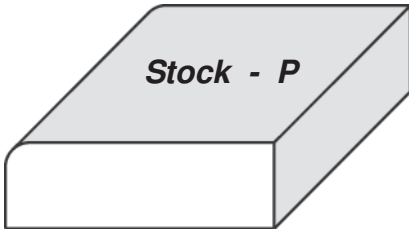
6006 - 1" X 3 1/8"



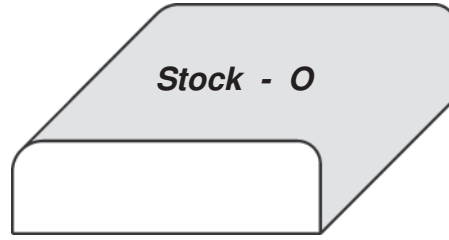
# Stop

O-Oak P-Poplar B-Birch M-Maple CH-Cherry

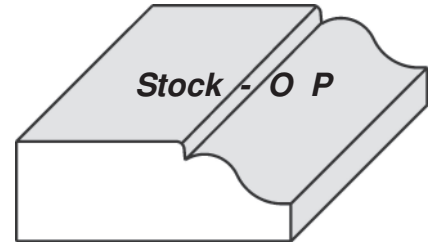
Stock Items Marked "Stock"



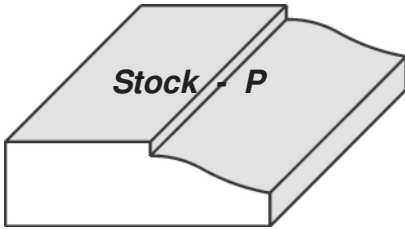
876 E1E - 7/16" X 1 3/8"



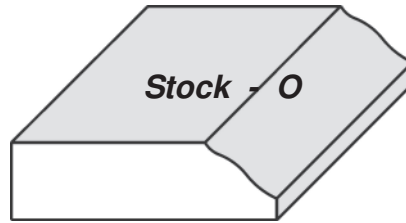
887 E2E - 3/8" X 1 1/4"



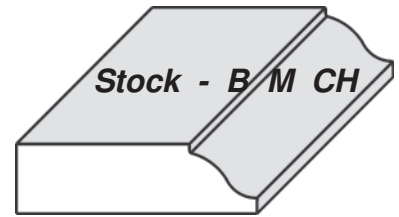
907 - 1/2" X 1 3/8"



936 - 7/16" X 1 3/8"



946 - 3/8" X 1 3/8"



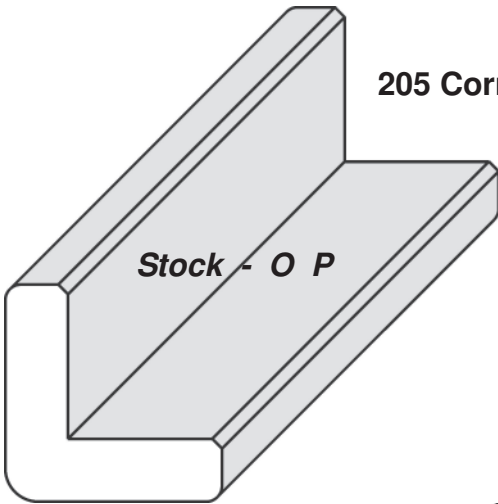
947 - 3/8" X 1 1/4"



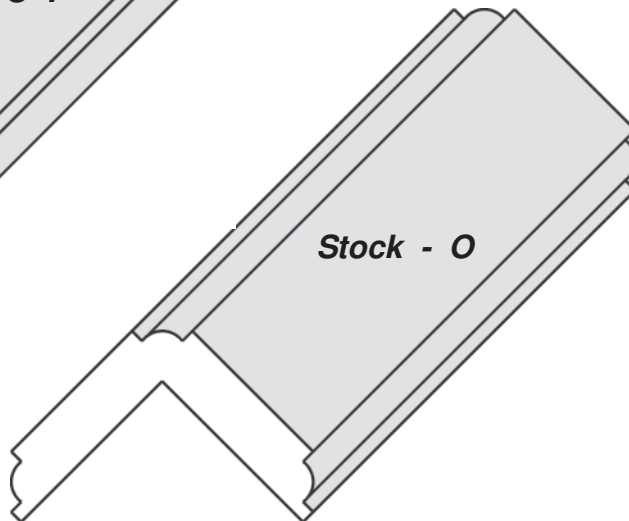
# OS Corner / Cove

O-Oak P-Poplar B-Birch M-Maple CH-Cherry

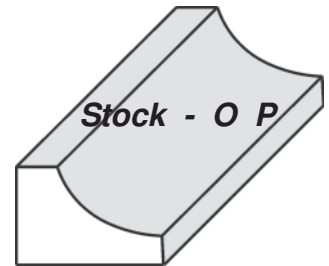
Stock Items Marked "Stock"



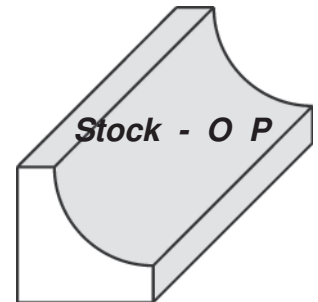
205 Corner - 1 1/8" X 1 1/8"



205C Corner - 1 1/8" X 1 1/8"



8095 Cove - 1/2" X 3/4"



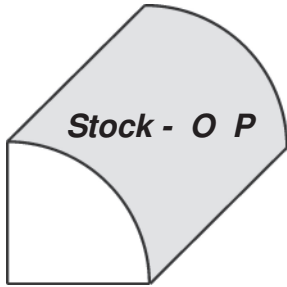
100 Cove - 11/16" X 11/16"

# Misc.

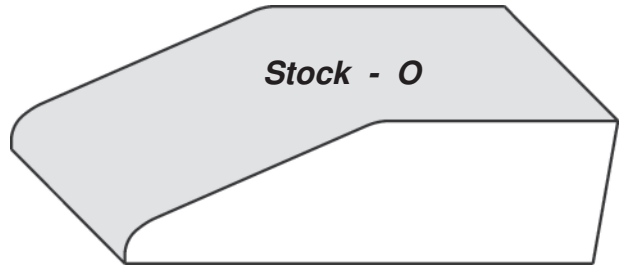
O-Oak P-Poplar B-Birch M-Maple CH-Cherry



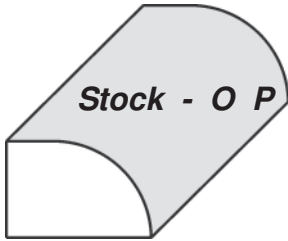
Stock Items Marked "Stock"



105 - 1/4 Round - 3/4" X 3/4"

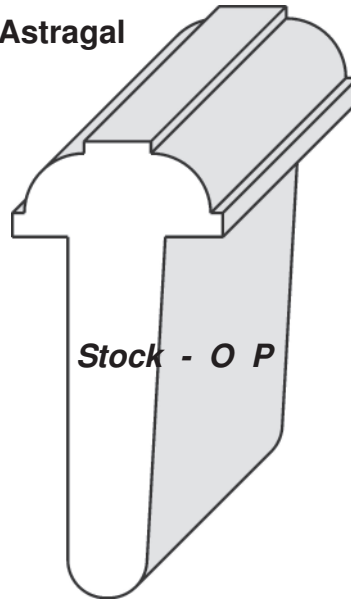


MT01 - 3/4" X 2 1/2"

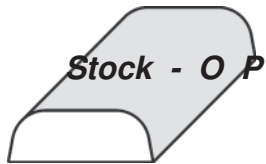
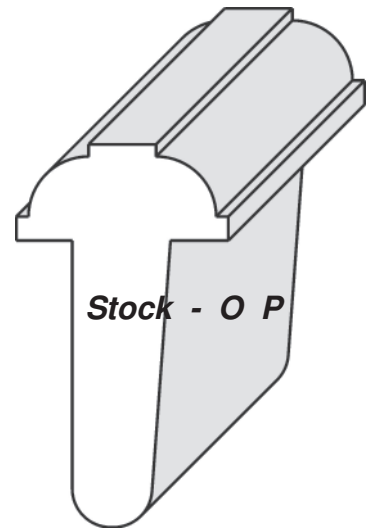


405 - Shoe - 1/2" X 3/4"

1-3/4" Astragal



1-3/8" Astragal



142 - Screen - 3/4" X 1/4"

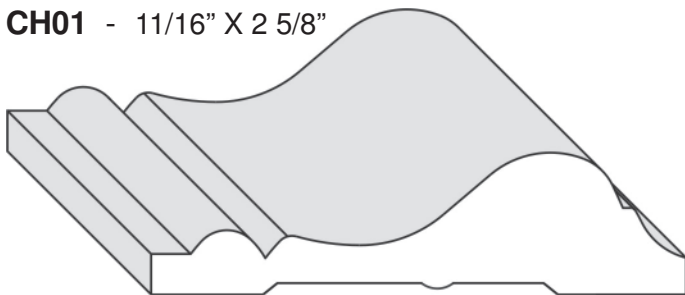
# Chair Rail

O-Oak P-Poplar B-Birch M-Maple CH-Cherry

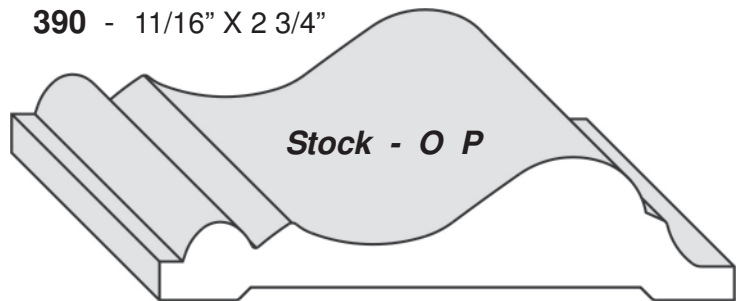


Stock Items Marked "Stock"

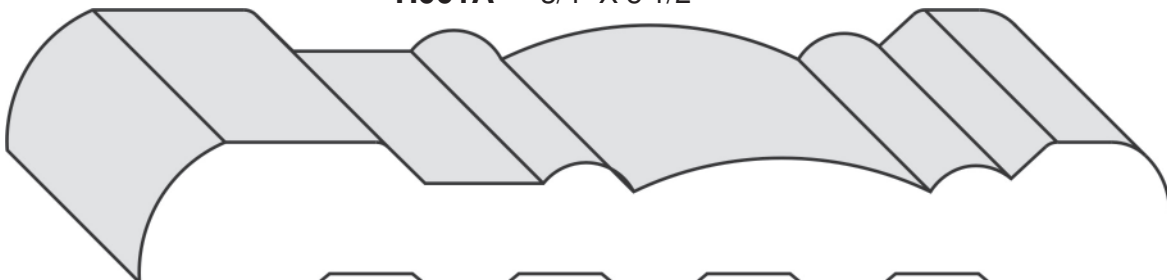
CH01 - 11/16" X 2 5/8"



390 - 11/16" X 2 3/4"



H001A - 3/4" X 5 1/2"



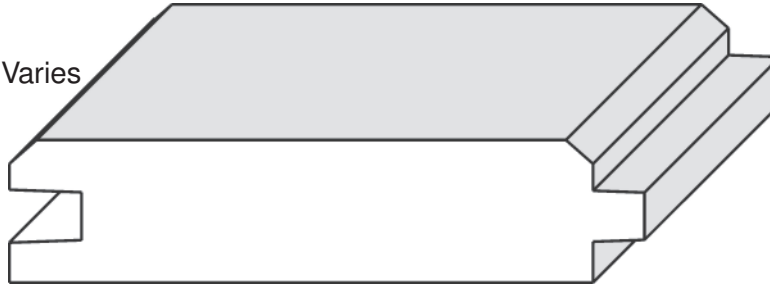


# T & G, S4S, Jambs

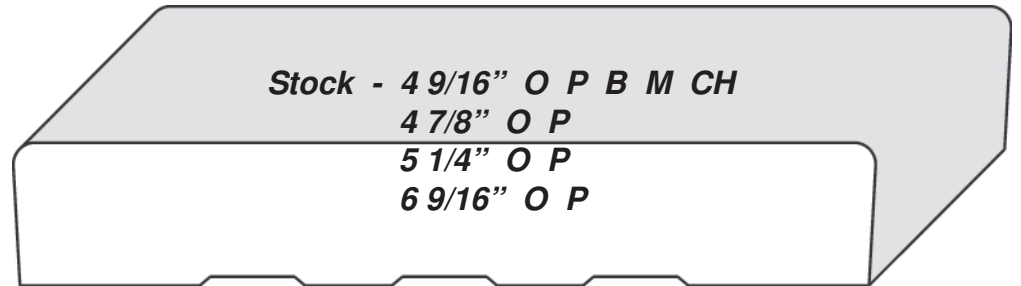
O-Oak P-Poplar B-Birch M-Maple CH-Cherry

Stock Items Marked "Stock"

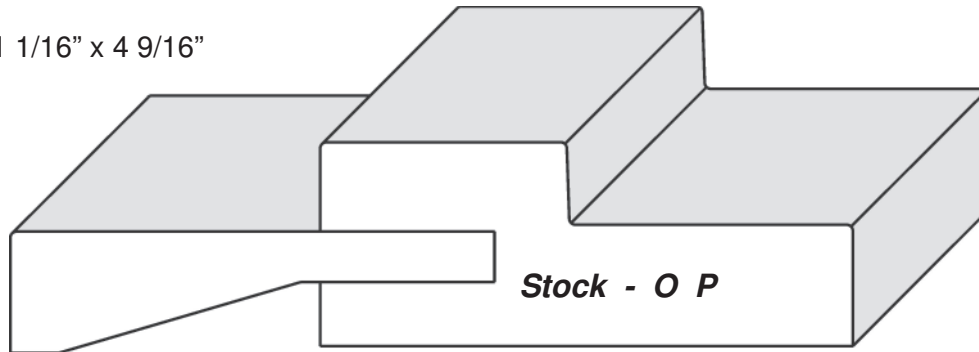
**T & G 01** - 3/4" x Width Varies



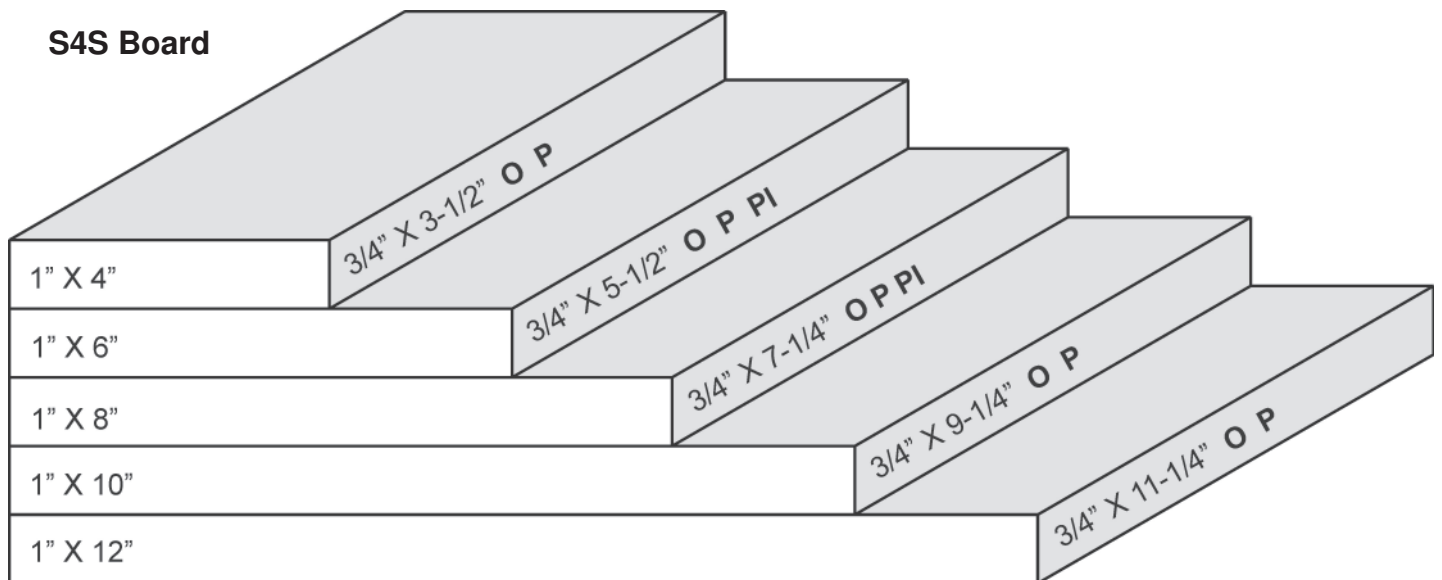
**J001** - 3/4" x 4 9/16"  
 3/4" x 4 7/8"  
 3/4" x 5 1/4"  
 3/4" x 6 9/16"



**Split Jamb** - 1 1/16" x 4 9/16"



**S4S Board**



# Rosettes / Base Blocks

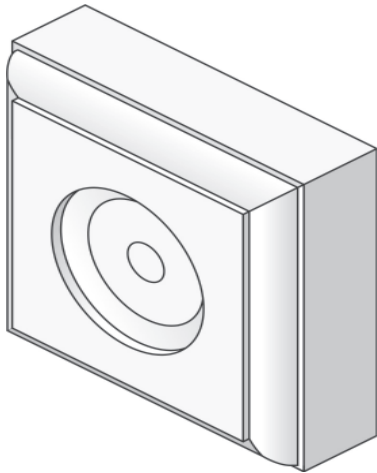
O-Oak P-Poplar B-Birch M-Maple CH-Cherry



Stock Items Marked "Stock"

## Rosettes

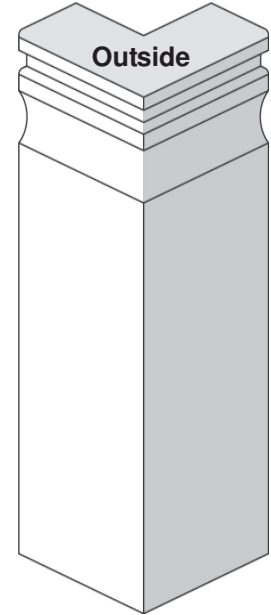
- Stock** - 2 1/2" x 2 1/2" x 1 1/16" O P
- 3" x 3" x 1 1/16" O P
- 3 1/2" x 3 1/2" x 1 1/16" O P
- 3 3/4" x 3 3/4" x 1 1/16" O P
- 4 1/4" x 4 1/4" x 1 1/16" O P



## Base Blocks

35 - 5/8" x 5/8" x 5"

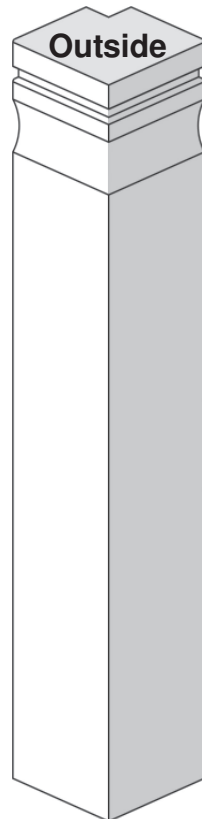
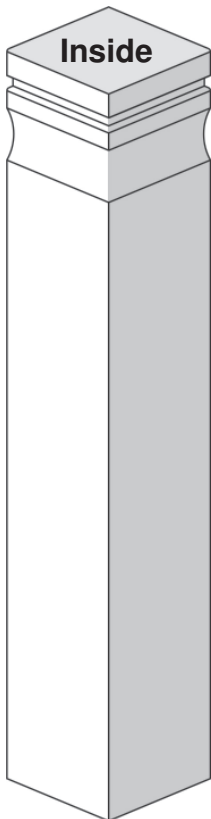
**Stock** - O P



## Base Blocks

58 - 1 1/16" x 1 1/16" x 7"

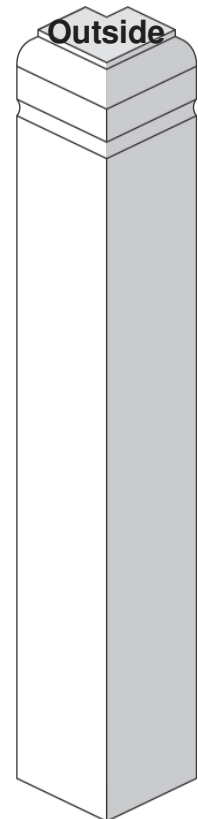
**Stock** - O P



## Base Blocks

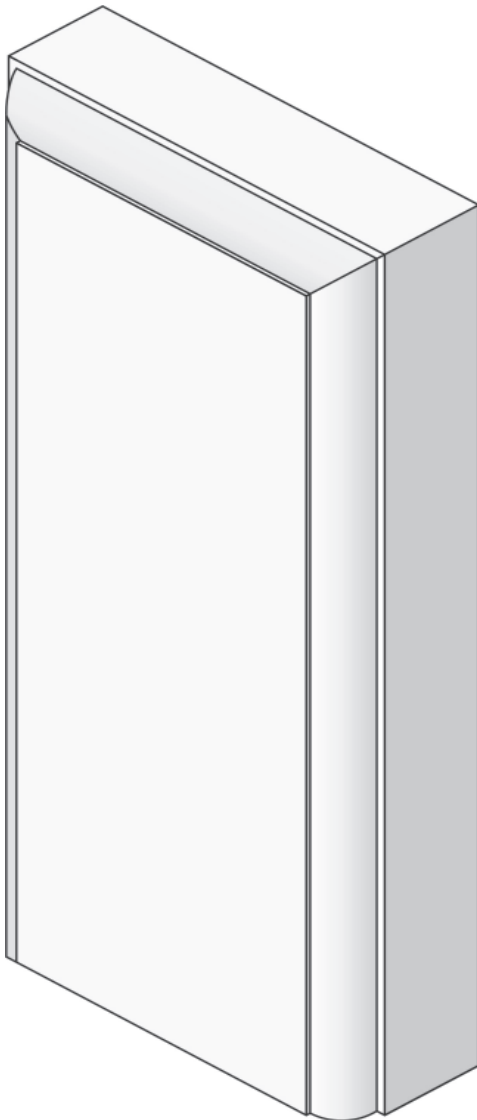
24 - 1 1/16" x 1 1/16" x 7"

**Stock** - O P



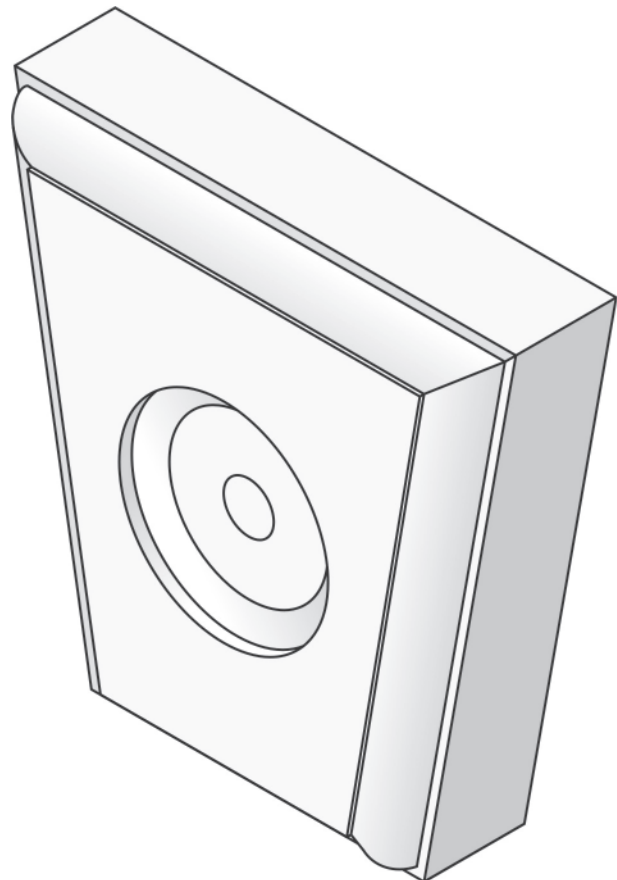
## Plinth Blocks

- Stock** - 2 1/2" x 6 1/2" x 1 1/16" **O P**  
 3" x 6 1/2" x 1 1/16" **O P**  
 3 1/2" x 6 1/2" x 1 1/16" **O P**  
 3 3/4" x 6 1/2" x 1 1/16" **O P**  
 4 1/4" x 6 1/2" x 1 1/16" **O P**



## Keystones

- Stock** - 2 1/4" Casing **O P**  
 2 3/4" Casing **O P**  
 3 1/4" Casing **P**  
 3 1/2" Casing **O P**



# Additional Items

O-Oak P-Poplar B-Birch M-Maple CH-Cherry

---



Stock Items Marked **"Stock"**

